

INSTRUCTION MANUAL

Fluoroscopy Table



CFPMFXH
integrated headrest top



CFPMFXH
rectangular top



CFPM100
integrated headrest top



CFPM100
rectangular top



CFPM400
integrated headrest top



CFPM400
rectangular top

© Copyright 2007
OAKWORKS®, Inc.

Manual Part # MMMNST0008, rev.02.19.10
1st Edition, October 2007
2nd Edition, March 2008
3rd Edition, February 2009
4th Edition, September 2009
Printed in U.S.A.

All rights are reserved. No part of this document may be photocopied, reproduced or translated to another language without prior written consent of OAKWORKS®, Inc.

OAKWORKS® is a registered trademark of OAKWORKS®, Inc.

Notice

The information contained in this document is subject to change without notice and should not be construed as a commitment by OAKWORKS®, Inc.

OAKWORKS®, Inc. assumes no responsibility for any errors that may appear in this document nor does it make expressed or implied warranty of any kind with regard to this material, including, but not limited to, the implied warranties of merchantability and fitness for a particular purpose.

OAKWORKS®, Inc. shall not be liable for incidental or consequential damages in connection with or arising out of the furnishing, performance, or use of this document and the program material which it describes.

TABLE OF CONTENTS

Symbol Identification	pg 1
Indications & Contraindications	pg 2
Warnings & Precautions	pg 2
Section I: Product Description & Photo	
CFPMFXH - 22" x 84" Integrated Headrest Top.....	pg 4
CFPMFXH - 24" x 80" Rectangular Top.....	pg 5
CFPM100 - 22" x 84" Integrated Headrest Top.....	pg 6
CFPM100 - 24" x 80" Rectangular Top.....	pg 7
CFPM400 - 22" x 84" Integrated Headrest Top.....	pg 8
CFPM400 - 24" x 80" Rectangular Top.....	pg 9
Section II: Directions for Use	
Adjusting Height (CFPM100 & 400 only).....	pg 10
Adjusting Tilt & Longitudinal Travel (CFPM400 only).....	pg 11
Patient Positioning Strap	pg 11
Adjusting Table Top Pad	pg 12
Adjusting Cranial Positioning Pads (integrated headrest only).....	pg 12
Moving the Fluoroscopy Table	pg 13
Emergency Stop	pg 13
Usable Imaging Area Diagrams	
CFPMFXH & CFPM100 - integrated headrest tops.....	pg 14
CFPMFXH & CFPM100 - rectangular tops.....	pg 15
CFPM400 - integrated headrest tops.....	pg 16
CFPM400 - rectangular tops.....	pg 17
Weight Capacity Limitations	pg 18
Section III: Troubleshooting	
Ground Point Testing	pg 19
If the table top will not change height or tilt	pg 19
Hand & Foot Control Replacement Instructions	pg 20
Section IV: Product Care and Maintenance	
	pg 21

TABLE OF CONTENTS

Section V: Optional Accessories

Carbon Fiber Arm Board	pg 22
Patient Positioning Strap	pg 22
Spine Positioning System	pg 23
Fluoro Extender	pg 23

Section VI: Product Identification

power cord variables	pg 25
----------------------------	-------

Section VII: List of Parts

Section VIII: Specifications CFPMFXH, 100 & 400.....

Guidance & Manufacturers Decloration - Emissions (all systems).....	pg 28
Recommended Separations - Distances from the CFPM400	pg 29
Guidance & Manufacturers Decloration - Immunity	pg 30
Guidance & Manufacturers Decloration - Emmissions (Equipment that is NOT life supporting)	pg 31

Contact Information Back Cover

LIFETIME LIMITED WARRANTY

View complete warranty details at www.oakworks.com

All warranties are limited to factory-provided replacement parts, factory repair or replacement, at the discretion of OAKWORKS®. OAKWORKS® only covers parts and labor on field repair of stationary products.

All warranties exclude damage caused by improper set-up, accident, abuse, misuse, neglect, use for other than intended purpose or reasonable wear such as tears in the upholstery.

All warranties are invalidated by non-factory modifications and unauthorized repairs, which will immediately terminate all liability by OAKWORKS® for the product or damages caused by its use.

The buyer and its customers shall be responsible for proper set-up and use of the products as well as any supervision required for safety. In no event shall OAKWORKS® be liable for any special, indirect, consequential, incidental, exemplary or punitive damages or costs. Use of non-approved cleaning solutions voids the guarantee on all fabrics.

The warranties set forth herein are the sole and exclusive warranties provided by OAKWORKS®. There are no other warranties, representations or guarantees provided by OAKWORKS® either expressed or implied, including warranties of merchantability and fitness for a particular purpose. Warranty valid with proof of purchase.

SYMBOL IDENTIFICATION

The OAKWORKS® Fluoroscopy Table is a radiographic table intended for use with mobile or compact stationary C-arm Fluoroscopy Systems. It is ideally suited for pain management imaging and therapeutic procedures.



This symbol, when used in this manual and on product labels, represents a caution warning. Be sure to read and comply with all precautions and warnings.



This symbol, when used in this manual and on product labels, warns against an electrical shock hazard. Be sure to observe and comply with all warnings.



This symbol, when used in this manual and on product labels, indicates the potential of exposure to harmful x-rays. Be sure to read and comply with all warnings.



This symbol, when used in this manual and on product labels, indicates that the table and components are a Type B Applied Part pursuant to IEC 601.1 and EN 60601-1: 1990.



This symbol, when used in this manual or on product labels, indicates a Protective Earth (Ground) Terminal.



This symbol when used in this manual or on product labels, warns that during transport there should be no stacking of containers.



This symbol, when used in this manual or on product labels, indicates that the product should be protected from moisture. The humidity specifications for Transport & Storage are listed on page 23.



This symbol, when used in this manual or on product labels, indicates that information is given regarding the recommended temperature limits during transport and storing.



This symbol, when used in this manual or on product labels, indicates the date of manufacture of the device.



This symbol, when used in this manual or on product labels, indicates alternating current (AC).



This symbol, when used in this manual or on product labels, indicates direct current (DC).

WARNINGS / PRECAUTIONS

INDICATIONS

The OAKWORKS Fluoroscopy CFPM tables are indicated for use with mobile or compact C-arm Fluoroscopy Imaging Systems where the x-ray generator is located below the tabletop. These tables are suitable to use for diagnostic x-ray imaging and imaging during therapeutic procedures such as spinal injections, vertebroplasty procedures and other pain management procedures. These tables may be used for surgical and non-surgical procedures.

CONTRAINDICATIONS

The OAKWORKS Fluoroscopy Table should not be used with Fluoroscopy systems having intensifier screens or film cassettes larger than 12 inches (30 cm) when an oblique angle of view is being used.

The table is not designed for and should not be used with Magnetic Resonance Imaging procedures.

WARNINGS



Improper use of this device can cause injury. Be sure to read all operating instructions prior to use.



Weight limit (patient and accessories):

Carbon Fiber Top: 227 kg / 500 lbs. distributed evenly

Do not sit beyond warning line on carbon fiber top.

Lock casters when mounting and dismounting.



The table utilizes four locking casters to permit movement of the table within the imaging suite. Accidental movement of the table may occur. Lock casters prior to accomplishing imaging of the patient.



There may be pinch points under the table top. Do not have any body part under the top when the table is in motion.



Be certain that the table is completely lowered prior to discharging an ambulatory patient. The patient may lose balance and fall. (CFPM100 & 400 only)



The CFPMFXH is a fixed height table. It is recommended that all patients are assisted onto the table (physical assistance & step stools with side rails is recommended.)



Patient Safety Strap must be secured prior to using the Trendelenburg/Reverse Trendelenburg function. (CFPM400 only)

WARNINGS: (CONTINUED)

WARNINGS: (cont.)



Electrical Shock Hazard. (CFPM100 & 400 only) The power supply/control module is located inside lifting column and under the top. No user serviceable parts are inside. Refer servicing to qualified personnel. Unplug wall connector prior to contact with any cables connected to the power supply.



Medical Electrical Equipment needs special precautions regarding EMC and needs to be installed and put into service according to the EMC information provided in the Accompanying Documents. (CFPM100 & 400 only)



Portable and Mobile RF Communications Equipment can affect Medical Electrical Equipment. (CFPM100 & 400 only)



The CFPM100 & 400 (only) should not be used adjacent to or stacked with other equipment due to the risk of electronic interference. If adjacent or stacked use is necessary, the table should be observed to verify normal operation in the configuration in which it will be used.



The potential of exposure to harmful x-rays exists when this table is in use. The use of adequate x-ray barrier devices is necessary to provide protection to both the operator and the patient. X-ray barrier devices are recommended for the patient outside of the intended target area to prevent exposure to scattered radiation from the x-ray generating source.

The tabletop has a typical aluminum filtration equivalence of .62 mm as measured at 100 kVp and a half-value layer (HVL) of 2.7 mm. (1.10 mm as measured at 100 kVp and a half value (HVL) of 3.6 mm)

- The OAKWORKS Fluoroscopy Table may be used for x-ray imaging where the x-ray generator is located below the tabletop and the image receptor is located above the tabletop. This is the recommended method. This table may also be used for x-ray imaging where the x-ray generator is located above the tabletop and the image receptor is located below the tabletop. This application will result in greater patient exposure to x-rays. The operator must weigh this issue with the imaging requirements and patient exposure issues.
- The Fluoroscopy Table may be used with the x-ray generator above the tabletop and a film cassette located on the tabletop.
- The x-ray generator should never be located above the tabletop when the OAKWORKS Fluoroscopy Table and the OAKWORKS Spine Positioning System/Prone Pillow are used together. This type of use requires that the x-ray generator is located below the tabletop and the imaging intensifier or film cassette located above the tabletop.



Disconnect the power supply plug prior to cleaning any surfaces below or inside of the base of the table.

PRODUCT DESCRIPTION - CFPMFHX 22" X 84" INTEGRATED HEADREST TOP



Includes 3-pad Set:
 1) 2" H x 12" SQ Pad
 2) 4" H x 12" SQ Pad
 3) Crescent Face Pad

Table Specs* :

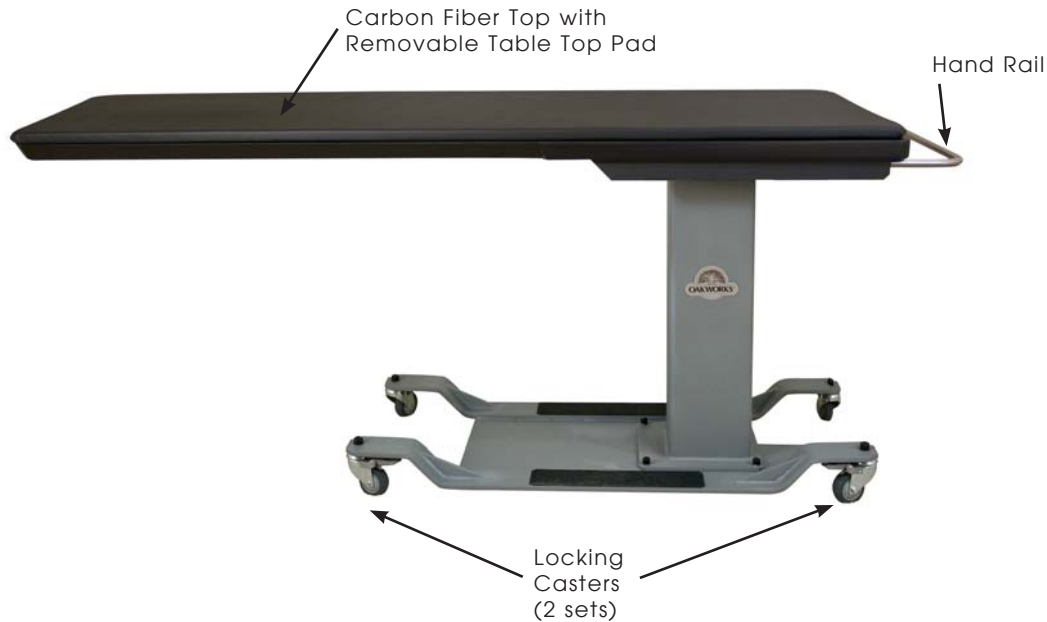


CAUTION

The CFPMFHX is a fixed height table. It is recommended that all patients are assisted onto the table (physical assistance & step stools with side rails is recommended.)

- Height: 37" (91 cm) (optional heights are available)
- Width: 22" (56 cm)
- Length: 84" (214 cm)
- Patient Capacity: 500 lbs.(227 kg.) distributed evenly
- Table Weight: 350 lbs. (159 kg.) shipping 400 lbs.(182 kg.)
- Included Accessories: Table Top Pad with 1" Medical Grade Foam & TerraTouch™ Fabric
 1- 2" H x 12" SQ Head Rest Pad
 1 - 4" H x 12" SQ Head Rest Pad
 1 - Crescent Face Pad
- Optional Accessories: Carbon fiber arm board, Spine Positioning System, Fluoro-Extender, 2" Table top pad

**PRODUCT DESCRIPTION - CFPMFXH
24" X 80" RECTANGULAR TOP**



PRODUCT DESCRIPTION

Table Specs* :

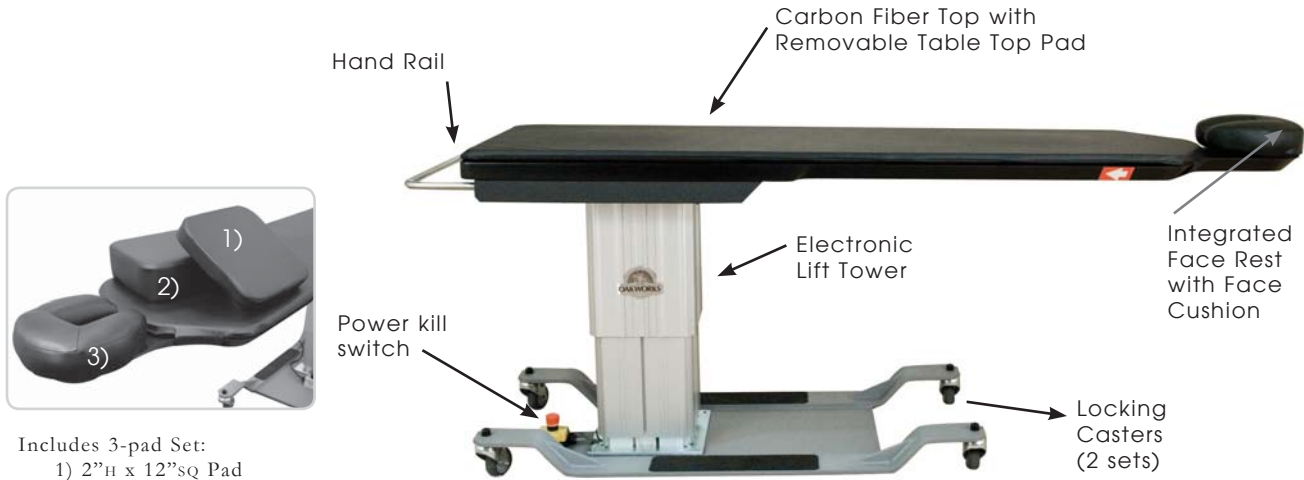


CAUTION

The CFPMFXH is a fixed height table. It is recommended that all patients are assisted onto the table (physical assistance & step stools with side rails is recommended.)

- Height: 37" (91 cm) (optional heights are available)
- Width: 24" (61 cm)
- Length: 80" (203 cm)
- Patient Capacity: 500 lbs.(227 kg.) distributed evenly
- Table Weight: 350 lbs. (159 kg.)
shipping 400 lbs.(182 kg.)
- Included Accessories: Table Top Pad with 1" Medical Grade Foam & TerraTouch™ Fabric
- Optional Accessories: Carbon fiber arm board, Spine Positioning System, Fluoro-Extender, 2" Table top pad

PRODUCT DESCRIPTION - CFPM100 22" X 84" INTEGRATED HEADREST TOP



Includes 3-pad Set:
 1) 2”H x 12”SQ Pad
 2) 4”H x 12”SQ Pad
 3) Crescent Face Pad

Table Specs* :

- Height Range: 22" - 40" (56 cm - 102 cm)
- Width: 22" (56 cm)
- Length: 84" (214 cm)
- Patient Capacity: 500 lbs.(227 kg.) distributed evenly
- Table Weight: 350 lbs. (159 kg.)
shipping 400 lbs.(182 kg.)
- Controls: 1 foot control
- Included: Table Top Pad with 1" Medical Grade Foam & TerraTouch™ Fabric

1- 2”H x 12” SQ Head Rest Pad
1 - 4”H x 12” SQ Head Rest Pad
1 - Crescent Face Pad
- Optional: Carbon fiber arm board, Spine Positioning System, Fluoro-Extender, 2" Table top pad
- Table Options: International Electric Configurations

ELECTRICAL SPECIFICATIONS - CFPM100

Designed For:	North America	Europe
Input Service	120 VAC/15 amps/60Hz	220 VAC/10 amps/50Hz
Current Draw	5.8 amps	3.0 amps
Maximum Momentary Current Consumption	9.0 amps	4.5 amps
Voltage to Actuators	120 VDC	220 VDC
Electric Shock Protection	Class I Equipment	Class I Equipment
Tabletop Applied Part	Type B Applied Part	Type B Applied Part
Mode of Operation	Continuous Operation @ 10% Duty Cycle	Continuous Operation @ 10% Duty Cycle

PRODUCT DESCRIPTION - CFPM100 24" X 80" RECTANGULAR TOP

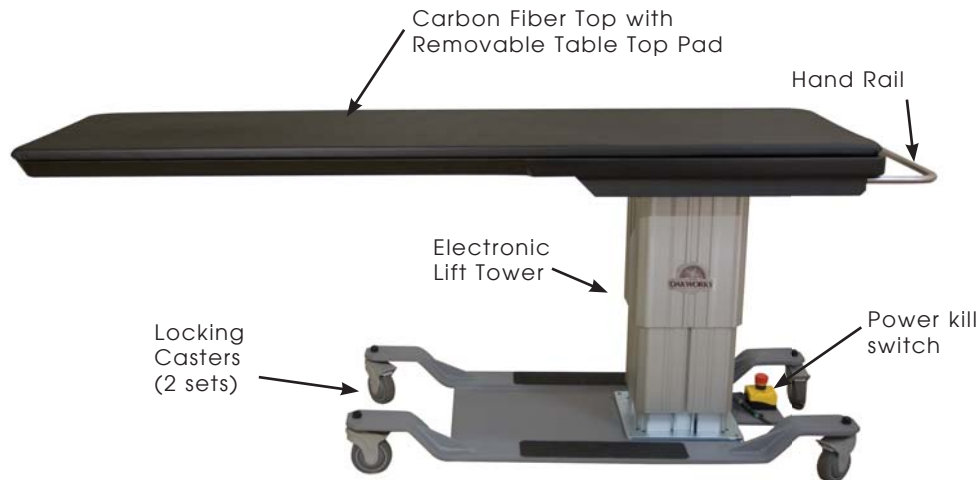




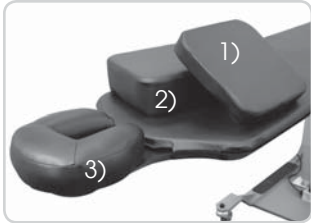
Table Specs* :

- Height Range: 22" - 40" (56 cm - 102 cm)
- Width: 24" (61 cm)
- Length: 80" (203 cm)
- Patient Capacity: 500 lbs.(227 kg.) distributed evenly
- Table Weight: 350 lbs. (159 kg.)
shipping 400 lbs.(182 kg.)
- Controls: 1 foot control
- Included: Table Top Pad with 1" Medical Grade Foam & TerraTouch™ Fabric
- Optional: Carbon fiber arm board, Spine Positioning System, Fluoro-Extender, 2" Table top pad
- Table Options: International Electric Configurations

ELECTRICAL SPECIFICATIONS - CFPM100

Designed For:	North America	Europe
Input Service	120 VAC/15 amps/60Hz	220 VAC/10 amps/50Hz
Current Draw	5.8 amps	3.0 amps
Maximum Momentary Current Consumption	9.0 amps	4.5 amps
Voltage to Actuators	120 VDC	220 VDC
Electric Shock Protection	Class I Equipment	Class I Equipment
Tabletop Applied Part	 Type B Applied Part	 Type B Applied Part
Mode of Operation	Continuous Operation @ 10% Duty Cycle	Continuous Operation @ 10% Duty Cycle

PRODUCT DESCRIPTION - CFPM400 22" X 84" INTEGRATED HEADREST TOP



Includes 3-pad Set:
 1) 2”H x 12”SQ Pad
 2) 4”H x 12”SQ Pad
 3) Crescent Face Pad

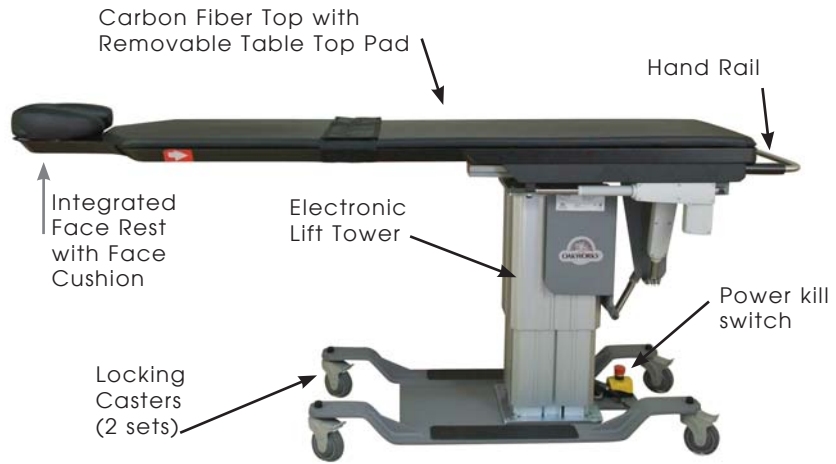


Table Specs* :

- Height Range: 26" - 44" (66 cm - 112 cm)
- Width: 22" (56 cm)
- Length: 84" (214 cm)
- Patient Capacity: 500 lbs.(227 kg.) distributed evenly
- Table Weight: 475 lbs. (216 kg.)
shipping 525 lbs.(238 kg.)
- Controls: 1 foot control, 1 hand control
- Included: Patient Positioning Strap
Table Top Pad with 1" Medical Grade Foam & TerraTouch™ Fabric
1- 2”H x 12” SQ Head Rest Pad
1 - 4”H x 12” SQ Head Rest Pad
1 - Crescent Face Pad
- Optional: Carbon fiber arm board, Spine Positioning System, Fluoro-Extender, 2” Table top pad
- Table Options: International Electric Configurations

ELECTRICAL SPECIFICATIONS - CFPM400

Designed For:	North America	Europe
Input Service	120 VAC/15 amps/60Hz	220 VAC/10 amps/50Hz
Current Draw	8.2 amps	4.5 amps
Maximum Momentary Current Consumption	12.3 amps	6.7 amps
Voltage to Actuators	24V Top, 120V Column	24V Top, 220V Column
Electric Shock Protection	Class I Equipment	Class I Equipment
Tabletop Applied Part	Type B Applied Part	Type B Applied Part
Mode of Operation	Continuous Operation @ 10% Duty Cycle	Continuous Operation @ 10% Duty Cycle

PRODUCT DESCRIPTION - CFPM400 24" X 80" RECTANGULAR TOP

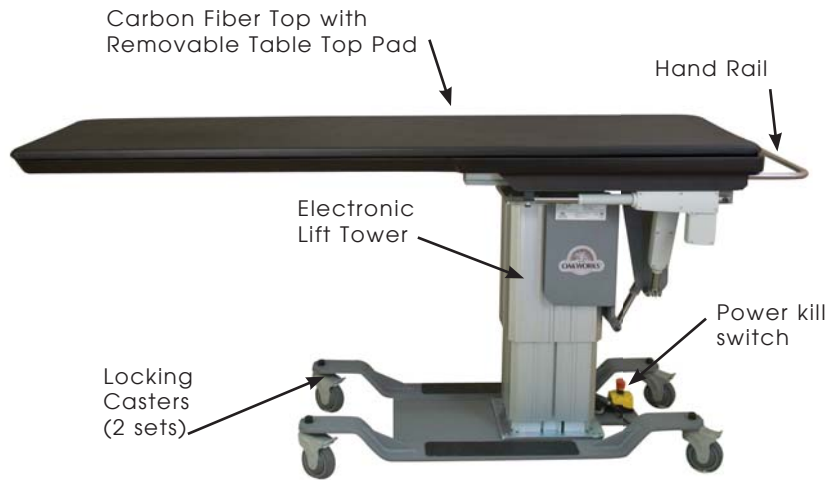


Table Specs* :

- Height Range: 26" - 44" (66 cm - 112 cm)
- Width: 24" (61 cm)
- Length: 80" (203 cm)
- Patient Capacity: 500 lbs.(227 kg.) distributed evenly
- Table Weight: 475 lbs. (216 kg.)
shipping 525 lbs.(238 kg.)
- Controls: 1 foot control, 1 hand control
- Included: Patient Positioning Strap
Table Top Pad with 1" Medical Grade Foam & TerraTouch™ Fabric
- Optional: Carbon fiber arm board, Spine Positioning System, Fluoro-Extender, 2" Table top pad
- Table Options: International Electric Configurations

ELECTRICAL SPECIFICATIONS - CFPM400

Designed For:	North America	Europe
Input Service	120 VAC/15 amps/60Hz	220 VAC/10 amps/50Hz
Current Draw	8.2 amps	4.5 amps
Maximum Momentary Current Consumption	12.3 amps	6.7 amps
Voltage to Actuators	24V Top, 120V Column	24V Top, 220V Column
Electric Shock Protection	Class I Equipment	Class I Equipment
Tabletop Applied Part	Type B Applied Part	Type B Applied Part
Mode of Operation	Continuous Operation @ 10% Duty Cycle	Continuous Operation @ 10% Duty Cycle

PRODUCT DESCRIPTION

DIRECTIONS FOR USE

The OAKWORKS® Fluoroscopy Table offers a variety of positioning capabilities for diagnostic x-ray imaging and imaging during therapeutic procedures. Although it was designed principally for use during pain management x-ray diagnostic and therapeutic procedures, it may also be used for other diagnostic procedures involving x-ray imaging provided the instructions in this manual are observed.

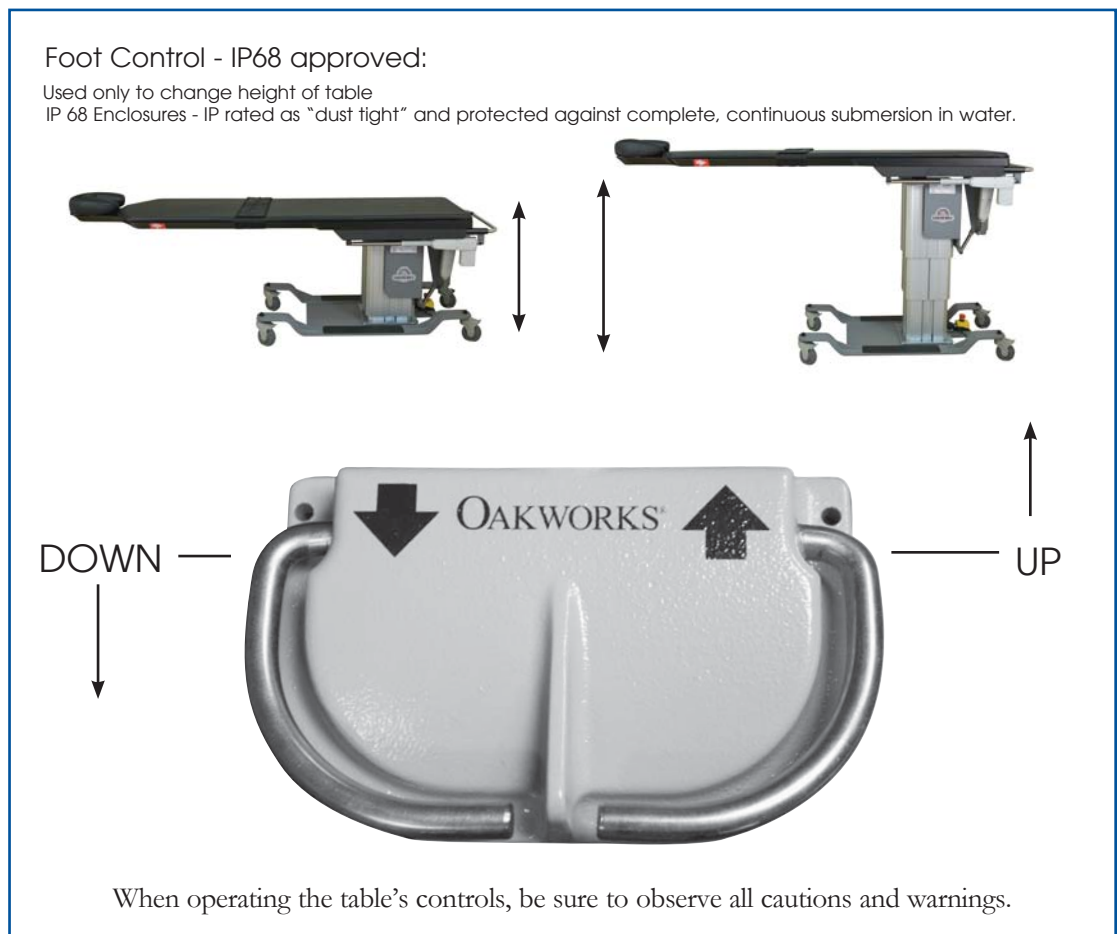


Should the use of this device create a circumstance under which the patient could be over-exposed to the x-ray being used, discontinue use immediately and determine an alternative radiology table or alternative x-ray generating source to use.

ADJUSTING HEIGHT OF THE TABLE (CFPM100 & 400):

The CFPM100 & CFPM400 come complete with one foot control.

Operate the controls as shown below to raise or lower the height of the table.



DIRECTIONS FOR USE

ADJUSTING TILT & LONGITUDINAL TRAVEL (CFPM400 ONLY)

The CFPM400 also comes with a hand control for controlling Trendelenburg, Lateral roll and Longitudinal travel.

Bubble levels are installed on the handle end of the table to aid the operator to determine the horizontal plane.

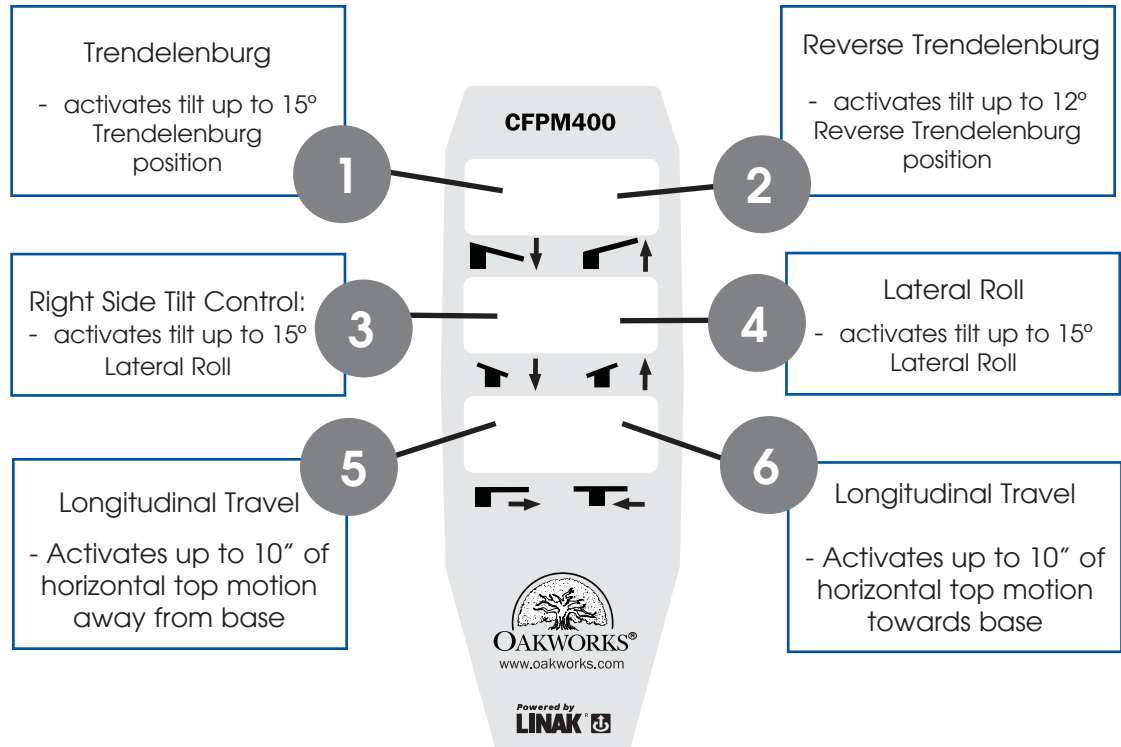


Bubble Levels



CAUTION

There may be pinch points under the table top. Do not have any body part under the top when the table is in motion.



PATIENT POSITIONING STRAP

The Patient Positioning strap must be used during all Trendelenburg/Reverse Trendelenburg operations to prevent the patient from falling off the table. The strap has Velcro® attached to the ends. Strap is attached as follows:

1. Place the center of the strap around the patient's waist. Relocate the strap as necessary for adequate clearance.
2. Take the ends of the strap down around the table top. Pull the strap snug underneath the table and press the two Velcro® ends together.
3. Check the strap to assure adequate patient restraint prior to the Trendelenburg motion.



CAUTION

Patient Safety Strap must be secured prior to using the Trendelenburg function.

DIRECTIONS FOR USE

ADJUSTING THE TABLE TOP PAD



Remove Table Pad by pulling flaps at the underside of the table on either end until the hook and loop fastener becomes unanchored.

Replace pad by first centering on the table and then pressing flaps in place, anchoring with the hook and loop fasteners.

ADJUSTING THE CRANIAL POSITIONING PADS - INTEGRATED HEADREST TABLES ONLY

Prone Positioning: Use the Crescent Face Pad and adjust accordingly



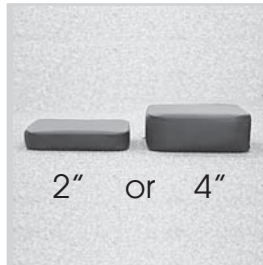
Pads are held in place by hook & loop fasteners.

The Crescent Face Pad can be adjusted as needed.

Place close in to the edge of the table with sides together for smaller patients or further away from the edge with sides apart for larger patients.



Supine Positioning: Use either the 2" or 4" square pad for proper placement.



Pads are provided that give two levels of elevation: 2" or 4"



Pads attach to the integrated face rest extension with hook & loop fasteners that hold the pad securely in place.

DIRECTIONS FOR USE

MOVING FLUOROSCOPY TABLE

Be sure to lower table completely before attempting to move it.

NOTE

Casters are designed for normal Hospital/Clinic environments. Not intended for outdoor travel/use



Unlocked Caster - Table may be moved



Push down until locking lever clicks into place.



Unlocked caster.



Locked Caster - Table locked down.

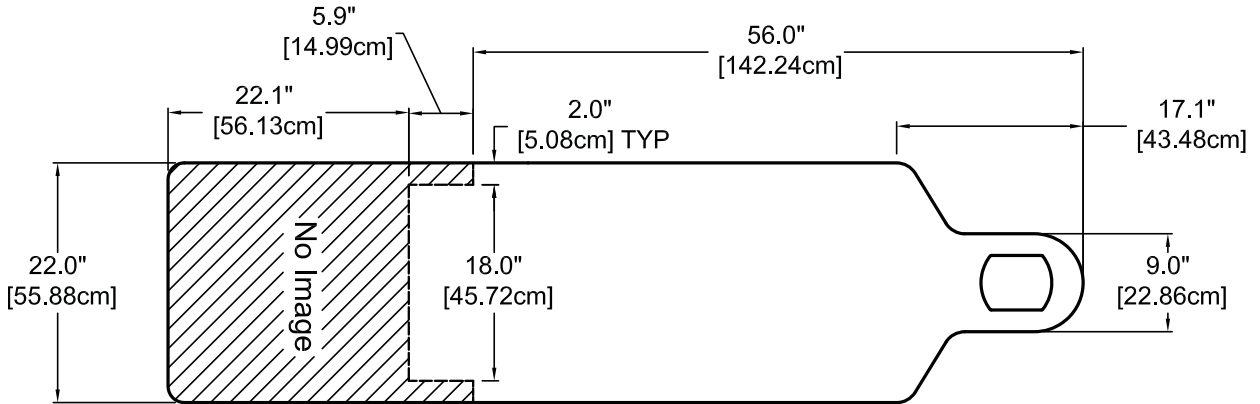


EMERGENCY STOP

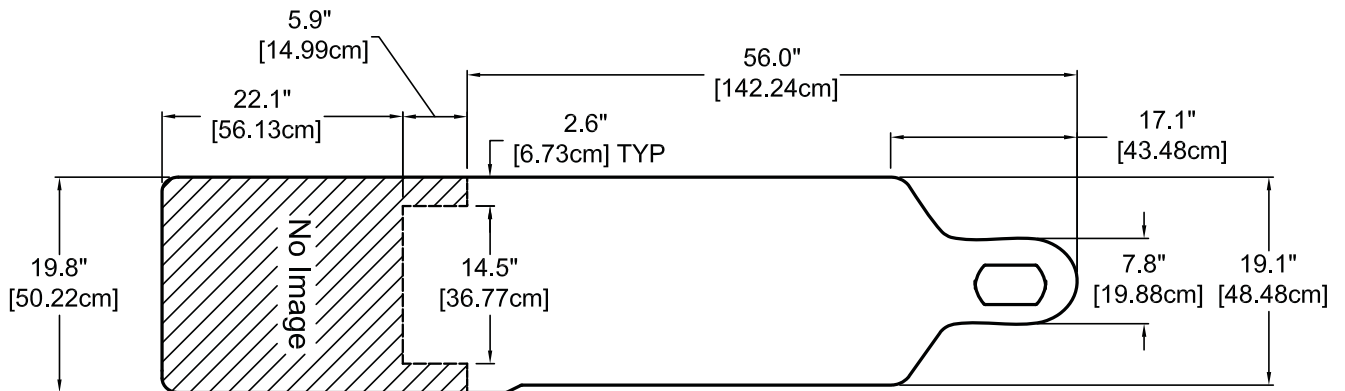
The CFPM100 & CFPM400 are equipped with an emergency stop switch. To stop the operation, push the red button. To reset, rotate the red button clockwise.

**DIRECTIONS FOR USE - USABLE IMAGING AREA - CFPMFXH & CFPM100
INTEGRATED HEAD REST TOP TABLES ONLY**

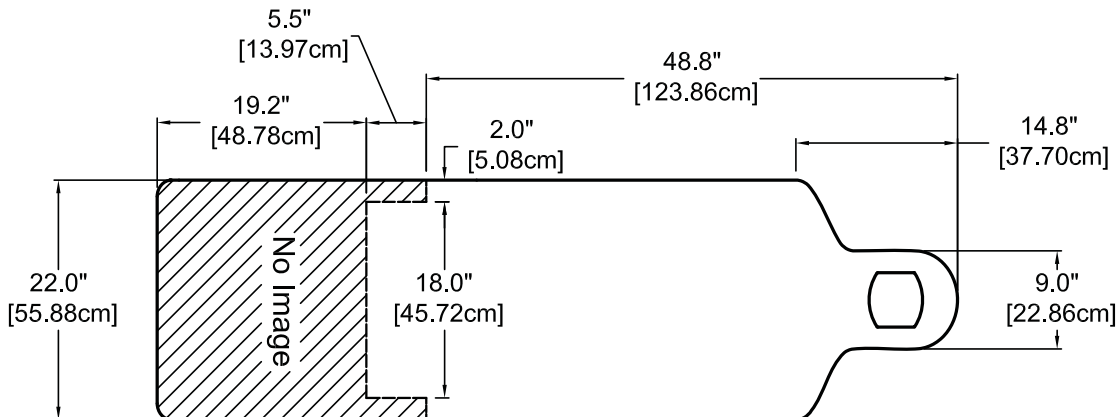
CENTERED FOP A-P VIEW:



OBLIQUE 30° VIEW FROM VERTICAL:

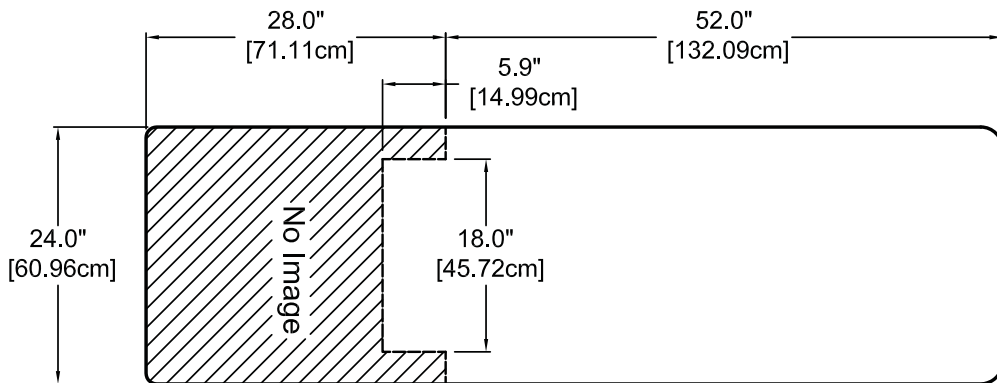


CAUDAL 30° VIEW FROM VERTICAL:

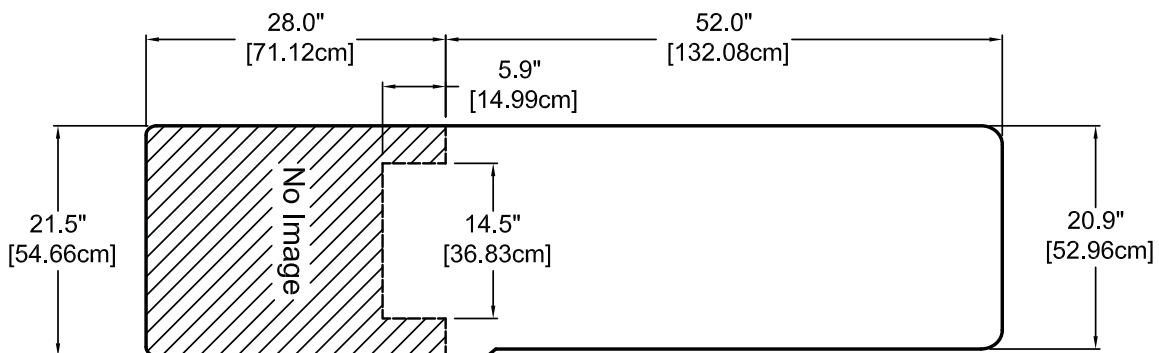


**DIRECTIONS FOR USE - USABLE IMAGING AREA - CFPMFXH & CFPM100
RECTANGULAR TOP TABLES ONLY**

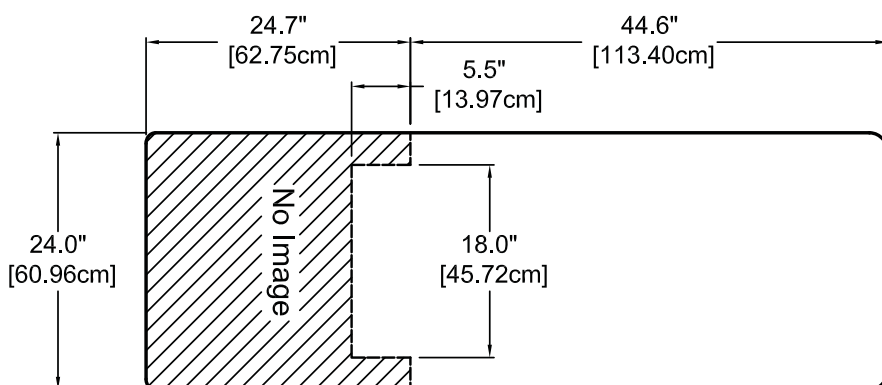
CENTERED FOP A-P VIEW:



OBLIQUE 30° VIEW FROM VERTICAL:

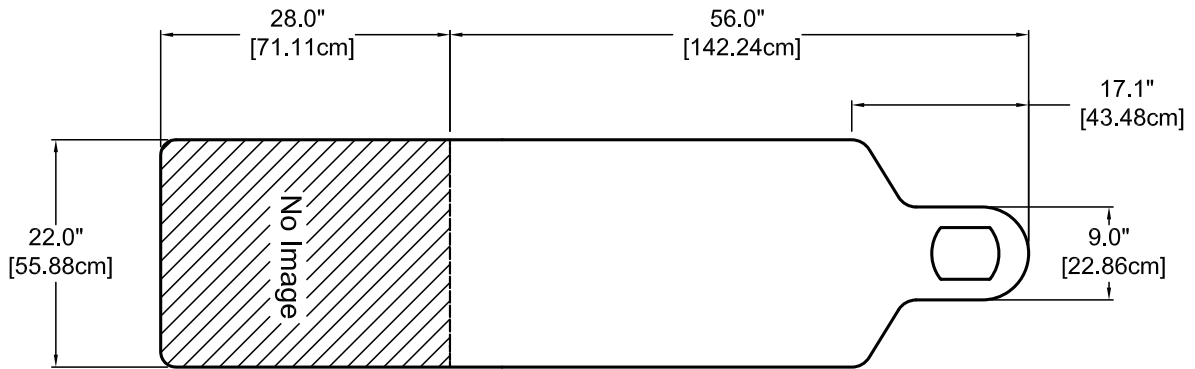


CAUDAL 30° VIEW FROM VERTICAL:

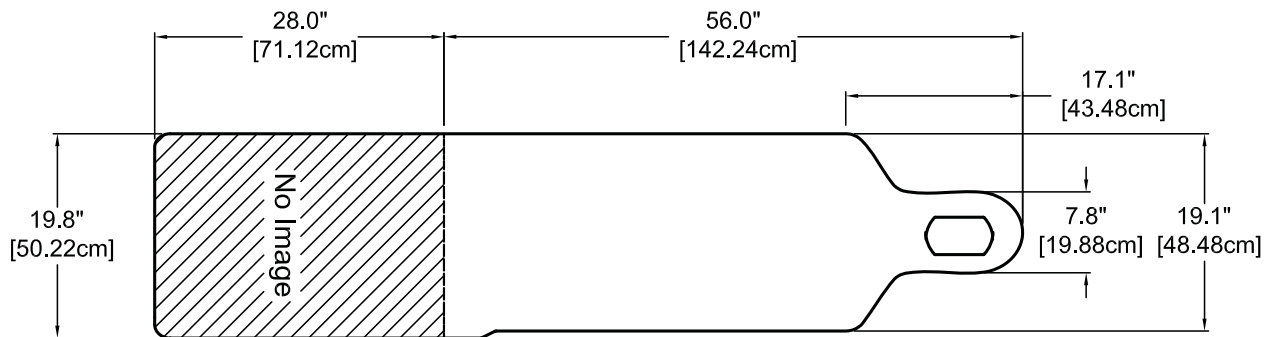


**DIRECTIONS FOR USE - USABLE IMAGING AREA - CFPM400
INTEGRATED HEADREST TOP TABLE ONLY**

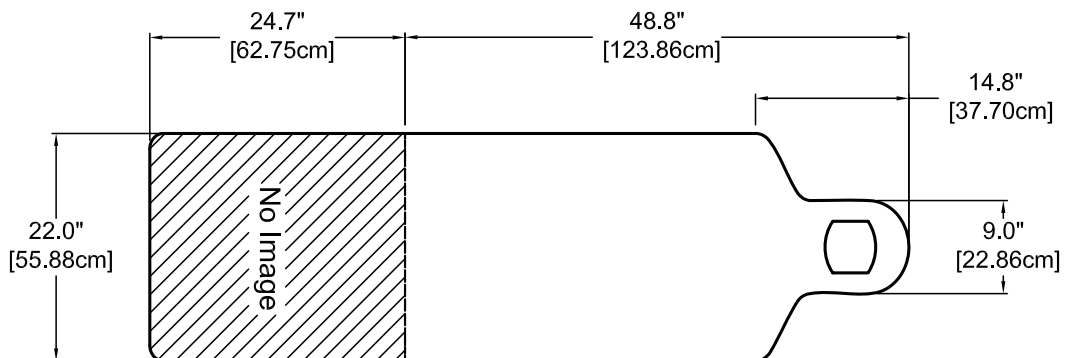
CENTERED FOP A-P VIEW:



OBLIQUE 30° VIEW FROM VERTICAL:

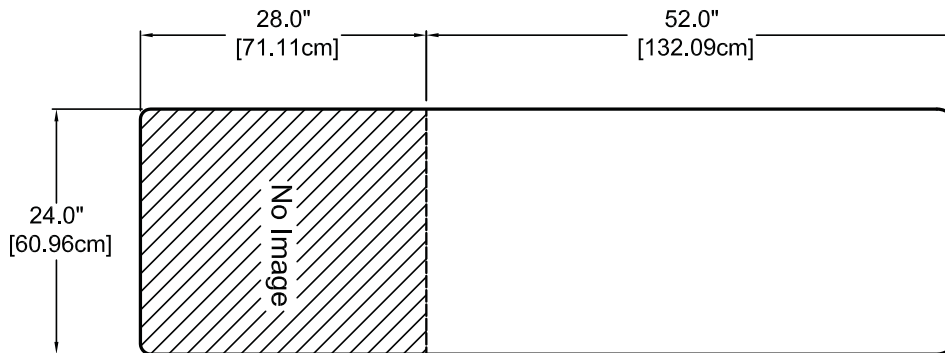


CAUDAL 30° VIEW FROM VERTICAL:

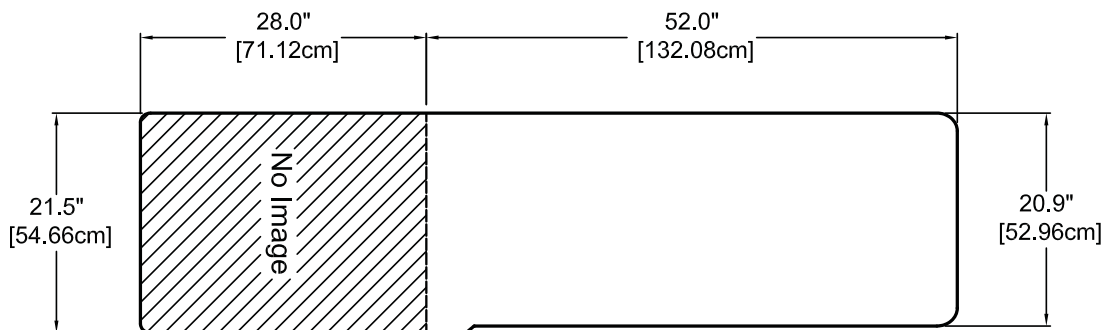


**DIRECTIONS FOR USE - USABLE IMAGING AREA - CFPM400
RECTANGULAR TOP TABLE ONLY**

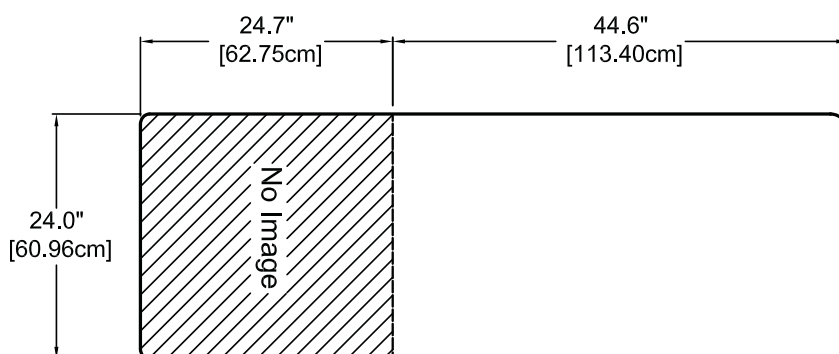
CENTERED FOP A-P VIEW:



OBLIQUE 30° VIEW FROM VERTICAL:



CAUDAL 30° VIEW FROM VERTICAL:



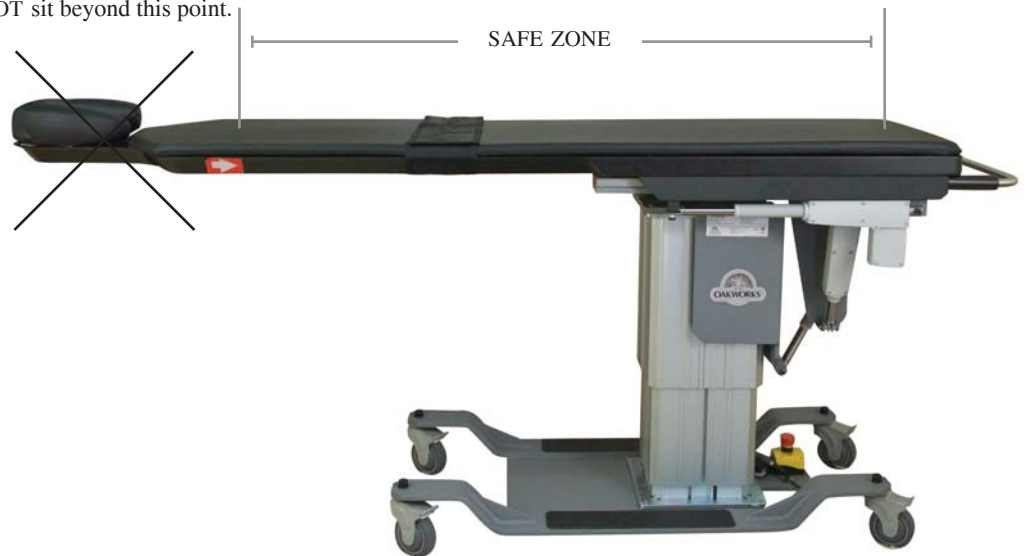
DIRECTIONS FOR USE

WEIGHT CAPACITY & PATIENT USE



The OAKWORKS® table top is rated at 500 lb. load evenly distributed. To minimize any risk to the patient, do not allow the patient to sit on the face rest area beyond the warning line on the table top.

DO NOT sit beyond this point.



Casters should be locked when patient is mounting or dismounting the table.



Table should be flat when mounting and dismounting.



Patient should mount and dismount near the lifting column.



Table top should be moved fully to the rear after each use.

TROUBLESHOOTING

GROUND POINT TESTING (CFPM100 & 400 ONLY)

Connect the tester to the ground post.



IF THE TABLE TOP WILL NOT CHANGE HEIGHT OR TILT - CFPM100 & CFPM400 MODELS



CAUTION

The Carbon Fiber table weighs as much as 475 lbs (216 kg). Turning the table on its side is not required and not recommended.

- Check the outlet to be sure that it has power and that the power cable is plugged in.
- Check that the red emergency stop button is in the raised position.
- If the table fails to operate, contact our customer service department.

TROUBLESHOOTING

FOOT CONTROL REPLACEMENT INSTRUCTIONS - CFPM100 & CFPM400

Replacement of the foot control will be necessary if the foot control does not activate the function of elevation.

To Replace the foot control, follow these steps:

1. Before proceeding, disconnect the power cord from the power outlet.
2. Disconnect strain relief on the foot control cable.
3. Disconnect foot control plug at the base of the lift column.
4. Obtain the new foot control and insert the cable plug into the shielded cable plug until firmly seated. Reconnect strain relief.
5. Plug the power cord back into the power outlet.
6. Attempt to operate the table elevation functions from the Foot Control.
7. If the table elevation functions fail to operate, contact the Customer Service Department.

HAND CONTROL REPLACEMENT INSTRUCTIONS - CFPM400

Replacement of the hand control will be necessary if the hand control does not activate the trendelenburg or lateral roll function.

To replace the hand control, follow these steps:

1. Before proceeding, disconnect the power cord from the power outlet.
2. Follow cord back to the control box.
3. Disconnect hand control plug at the control box.
4. Obtain the new hand control and insert the cable plug into the control box until firmly seated.
5. Plug the power cord back into the power outlet.
6. Attempt to operate the table tilt functions from the hand control.
7. If the table tilt functions fail to operate, contact the Customer Service Department.

PRODUCT CARE & MAINTENANCE

CLEANING

IMPORTANT

TABLE

Use only a mild detergent solution or 10% sodium hypochlorite solution on surfaces. Be sure excess liquid does not drip onto any other surfaces or mechanisms. Disinfectants other than recommended above will harm the table’s surface. Wipe off excess with a lint-free cloth. Remove residual with a damp (not wet) cloth.

TABLE PAD

Clean with a mild detergent solution. Use of gluteraldehydes for disinfecting is not recommended. 10% sodium hypochlorite solution, phenol-based surface disinfectants and quaternary ammonium compounds may be used. Wipe off excess liquid and remove any residual solution with a damp (not wet) lint-free cloth. Be sure underside of table pad is completely dry prior to placing back onto tabletop.

The operator should ascertain the disinfecting properties of the agent being used prior to cleaning.

IMPORTANT



CAUTION

Before cleaning with any liquid cleaner be sure to unplug the power cord from the power outlet.



INSPECTION

Be sure to read all cautions, warnings and instructions given in the manual to prevent injury to both operator and client.

Periodically inspect wires on the table. There should be no cuts, gouges or nicks in the wire insulation.

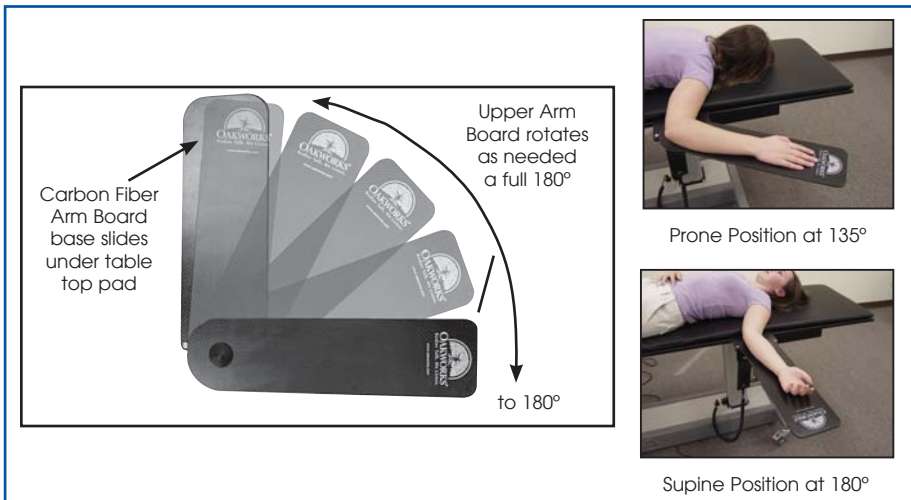
OPTIONAL ACCESSORIES



CAUTION

When making adjustments in positioning be sure to observe all cautions and warnings given in the manual to prevent injury to both operator and patient.

CARBON FIBER ARM BOARD



IMPORTANT

DO NOT place undue weight or downward pressure on the Carbon Fiber Arm Board. It is a positioning device for the arms and should not be used as leverage to get on or off the table. Injury can occur.

The OAKWORKS® Carbon Fiber Single Arm Board conveniently slides under the table top pad and easily supports the patient's arm in a positionary range of 180°. The unit can easily fold for compact storage when not in use.

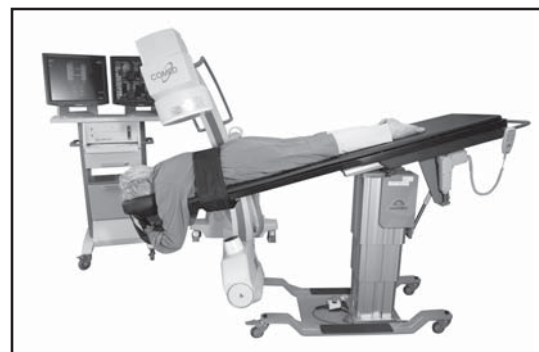
To use the Carbon Fiber Single Arm Board:

Unfold the Arm Board just enough to enable it to slide under the table top pad on the Fluoroscopy Table at a 90° angle to the side of the table. Ask the patient to lay down on the table and position them to suit the needs of the procedure. The weight of the patient will hold the Arm Board base in place under the table top pad. Move the upper Arm Board to the angle you need. It will stay at that position until you change it.

When finished, Ask the patient to raise up enough for you to move the Arm Board base from under the table top pad. Fold it up and store it away until the next time you need to use it.

PATIENT POSITIONING STRAP

When using the tilt & Trendelenburg feature of the CFPM400, use of the Patient Positioning Strap is recommended.



OPTIONAL ACCESSORIES

SPINE POSITIONING SYSTEM



OPTIONAL ACCESSORIES

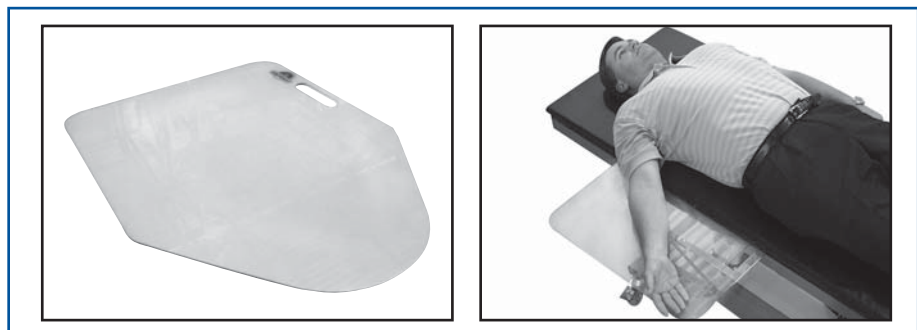
FLUORO EXTENDER

The OAKWORKS® Fluoro Extender is radiolucent and offers extra width only where you need it for greater positioning accuracy with optimum imaging. The Fluoro Extender is inserted under the table top pad.



CAUTION

Children must be supervised by a responsible adult when around this equipment.



PRODUCT IDENTIFICATION

	Model No.:	Description
North America	FLDBFD223784CF	CFPMFXH ; Carbon Fiber Integrated Headrest Top
	FLDBRTFD243780CF	CFPMFXH ; Carbon Fiber Rectangular Top
	FLDB222284CF	CFPM100 ; Carbon Fiber Integrated Headrest Top; 3 prong grounded hospital grade power cord plug / North America
	FLDBRT242280CF	CFPM100 ; Carbon Fiber Rectangular Top; 3 prong grounded hospital grade power cord plug / North America
	FLDBTLET222684CF	CFPM400 ; Carbon Fiber Integrated Headrest Top; 3 prong grounded hospital grade power cord plug / North America
	FLDBTLRTET242680CF	CFPM400 ; Carbon Fiber Rectangular Top; 3 prong grounded hospital grade power cord plug / North America
Europe	FLDBFD223784CF	CFPMFXH ; Carbon Fiber Integrated Headrest Top
	FLDBRTFD243780CF	CFPMFXH ; Carbon Fiber Rectangular Top
	FLDBEU222284CF	CFPM100 ; Carbon Fiber Integrated Headrest Top; Continental Plug / Europe
	FLDBRTEU242280CF	CFPM100 ; Carbon Fiber Rectangular Top; Continental Plug / Europe
	FLDBTLETEU222684CF	CFPM400 ; Carbon Fiber Integrated Headrest Top; Continental Plug / Europe
	FLDBTLRTETE242680CF	CFPM400 ; Carbon Fiber Rectangular Top; Continental Plug / Europe
Switzerland	FLDBFD223784CF	CFPMFXH ; Carbon Fiber Integrated Headrest Top
	FLDBRTFD243780CF	CFPMFXH ; Carbon Fiber Rectangular Top
	FLDBSW222284CF	CFPM100 ; Carbon Fiber Integrated Headrest Top; Swiss plug; Switzerland
	FLDBRTSW242280CF	CFPM100 ; Carbon Fiber Rectangular Top; Swiss plug; Switzerland
	FLDBTLETSW222684CF	CFPM400 ; Carbon Fiber Integrated Headrest Top; Swiss plug; Switzerland
	FLDBTLRTETSW242680CF	CFPM400 ; Carbon Fiber Rectangular Top; Swiss plug; Switzerland
United Kingdom	FLDBFD223784CF	CFPMFXH ; Carbon Fiber Integrated Headrest Top
	FLDBRTFD243780CF	CFPMFXH ; Carbon Fiber Rectangular Top
	FLDBUK222284CF	CFPM100 ; Carbon Fiber Integrated Headrest Top; British plug; United Kingdom
	FLDBRTUK242280CF	CFPM100 ; Carbon Fiber Rectangular Top; British plug; United Kingdom
	FLDBTLETUK222684CF	CFPM400 ; Carbon Fiber Integrated Headrest Top; British plug; United Kingdom
	FLDBTLRTETUK242680CF	CFPM400 ; Carbon Fiber Rectangular Top; British plug; United Kingdom

POWER CORD VARIABLES

Power Cord Variables

Plug View:

Voltage (AC)

Power Cord Plug



120v 60 Hz

3 prong grounded hospital grade; North America



220v 50 Hz

Continental Plug; Europe



220v 50 Hz

Swiss plug; Switzerland



220v 50 Hz

British plug; United Kingdom

POWER CORD VARIABLES



LIST OF PARTS

Part No.	Description
55848	Locking Caster (4)
9723-110	Lift Tower (110 v.)
9723-220	Lift Tower (220 v.)
53330	Foot Control with Cord & Plug
56035	Hand Control with Cord & Plug (For CFPM400)
4796-06	Integrated Face Rest Pad / 2” _H x 12” _{SQ} (1)
4795-06	Integrated Face Rest Pad / 4” _H x 12” _{SQ} (1)
2410-06	Crescent Face Pad
9468-06	1 Inch Tabletop Pad (22” x 84” Integrated Head Rest Top)
58940-06	1 Inch Tabletop Pad (24” x 80” Rectangular Top)

Optional Accessories:

3395-01	Carbon Fiber Arm Board (1)
4796-06	2”/5cm x 12”/31cm Square Support Pad (1)
3PXXXXXXXXTT	OAKWORKS® Prone Pillow
2005	Fluoro-Extender
8806	Patient Positioning Strap
6427-06	2 Inch Table Top Pad (22” x 84” Integrated Head Rest Top)
TBD	2 Inch Table Top Pad (24” x 80” Rectangular Top)

SPECIFICATIONS

Storage & Transport	 Temperature: 32 - 100° F 0 - 38°C Humidity: 60% relative humidity Pressure: no limitations known During transport, DO NOT stack containers. 
Materials of Construction	This product contains no latex.
Tabletop	Carbon Fiber: 1.64" x 22" x 84" (41.7 mm x 559 mm x 2134 mm)
Patient Comfort	(1") 25 mm upholstered foam pad
This product complies with United States Department of Health and Human Services radiation performance standards, 21 CFR Subchapter J, in effect at the time of manufacture for radiographic tables. (06/08)	
Aluminum Filtration Equivalent of Tabletop (AL mm)	100 kVp, HVL of 2.7 mm = .61 (1.00 max) 100 kVp, HVL of 3.6 mm = 1.10 (1.35 max)
ETL/cETL Listed	Complies with UL 60601-1; CSA C22.2 # 601.1, IEC 60601-1 Ed2; IEC 60601-2-32 Ed1; IEC 60601-1-2 Ed2.1 (CFPM100 & 400 only electromagnetic compatibility) (03/08)

SPECIFICATIONS

**Guidance and Manufacturer’s Declaration – Emissions
All Equipment and Systems**

Guidance and Manufacturer’s Declaration - Emissions (CFPM100 & 400 only)
The table is intended for use in the electromagnetic environment specified below. The customer or user of the table should ensure that it is used in such an environment.

Emissions Test	Compliance	Electromagnetic Environment – Guidance
RF Emissions CISPR 11	Class B, Group 1	The CFPM400 uses RF energy only for its internal function. Therefore, its RF emissions are very low and are not likely to cause any interference in nearby electronic equipment.
Harmonics IEC 61000-3-2	Class A	The CFPM400 is suitable for use in all establishments, including domestic, and those directly connected to the public low-voltage power supply network that supplies buildings used for domestic purposes.
Flicker IEC 61000-3-3	Complies	

SPECIFICATIONS

Recommended Separation Distances between portable and mobile RF Communications equipment and the CFPM400 Equipment and Systems that are NOT Life-supporting

Recommended Separations Distances for the CFPM100 & CFPM400			
The table is intended for use in the electromagnetic environment in which radiated disturbances are controlled. The customer or user of the table can help prevent electromagnetic interference by maintaining a minimum distance between portable and mobile RF Communications Equipment and the table as recommended below, according to the maximum output power of the communications equipment.			

Max Output Power (Watts)	Separation (m) 150kHz to 80MHz	Separation (m) 80 to 800MHz	Separation (m) 800MHz to 2.5GHz
	$D=(3.5/V1)(\text{Sqrt } P)$	$D=(3.5/E1)(\text{Sqrt } P)$	$D=(7/E1)(\text{Sqrt } P)$
0.01	.1166	.1166	.2333
0.1	.3689	.3689	.7378
1	1.1666	1.1666	2.3333
10	3.6893	3.6893	7.3786
100	11.6666	11.6666	23.3333

SPECIFICATIONS

Guidance and Manufacturer's Declaration – Immunity All Equipment and Systems

Guidance and Manufacturer's Declaration – Immunity (CFPM100 & 400 only)
The table is intended for use in the electromagnetic environment specified below. The customer or user of the table should ensure that it is used in such an environment.

Immunity Test	EN/IEC 60601 Test Level	Compliance Level	Electromagnetic Environment – Guidance
ESD EN/IEC 61000-4-2	±6kV Contact ±8kV Air	±6kV Contact ±8kV Air	Floors should be wood, concrete or ceramic tile. If floors are synthetic, the r/h should be at least 30%
EFT EN/IEC 61000-4-4	±2kV Mains ±1kV I/Os	±2kV Mains ±1kV I/Os	Mains power quality should be that of a typical commercial or hospital environment.
Surge EN/IEC 61000-4-5	±1kV Differential ±2kV Common	±1kV Differential ±2kV Common	Mains power quality should be that of a typical commercial or hospital environment.
Voltage Dips/Dropout EN/IEC 61000-4-11	>95% Dip for 0.5 Cycle 60% Dip for 5 Cycles 30% Dip for 25 Cycles >95% Dip for 5 Seconds	>95% Dip for 0.5 Cycle 60% Dip for 5 Cycles 30% Dip for 25 Cycles >95% Dip for 5 Seconds	Mains power quality should be that of a typical commercial or hospital environment. If the user of the table requires continued operation during power mains interruptions, it is recommended that the table be powered from an uninterruptible power supply or battery.
Power Frequency 50/60Hz Magnetic Field EN/IEC 61000-4-8	3A/m	3A/m	Power frequency magnetic fields should be that of a typical commercial or hospital environment.

SPECIFICATIONS

**Guidance and Manufacturer’s Declaration – Emissions
Equipment and Systems that are NOT Life-supporting**

Guidance and Manufacturer’s Declaration – Emissions (CFPM100 & 400 only)
 The table is intended for use in the electromagnetic environment specified below.
 The customer or user of the table should ensure that it is used in such an environment.

Immunity Test	EN/IEC 60601 Test Level	Compliance Level	Electromagnetic Environment – Guidance
Conducted RF EN/IEC 61000-4-6 Radiated RF EN/IEC 61000-4-3	3 Vrms 150 kHz to 80 MHz 3 V/m 80 MHz to 2.5 GHz	(3)Vrms (3)V/m	Portable and mobile communications equipment should be separated from the table by no less than the distances calculated/listed below: $D=(3.5/V1)(\text{Sqrt } P)$ $D=(3.5/E1)(\text{Sqrt } P)$ 80 to 800 MHz $D=(7/E1)(\text{Sqrt } P)$ 800 MHz to 2.5 GHz where P is the max power in watts and D is the recommended separation distance in meters. Field strengths from fixed transmitters, as determined by an electromagnetic site survey, should be less than the compliance levels (V1 and E1). Interference may occur in the vicinity of equipment containing a transmitter.

SPECIFICATIONS

Fluoroscopy Table

CONTACT INFORMATION:

OAKWORKS® Medical Equipment

923 East Wellspring Road
New Freedom, PA 17349

Toll Free (USA only): 800-916-4612
Phone: 717-235-6807

Toll Free FAX (USA only): 877-562-4787
FAX: 717-235-6798

www.oakworksmed.com

European Compliance for CE Mark Information

Emergo Europe

Molenstraat 15
The Hague, 2513 BH Netherlands

Tel: +31 70 3458570
Fax: +31 70 3467299

E-mail: info@emergogroup.com



Manual Part # MMMNST0008, rev. 02.19.10
4th Edition, September 2009
3rd Edition, February 2009
2nd Edition, March 2008
1st Edition, October 2007

Printed in U.S.A.