

INSTRUCTION MANUAL

OAKWORKS® Trolley



Model #
54471 (laminate top)
54472 (solid top)

www.oakworks.com · 717.235.6807



WARNINGS



Improper use of this device can cause injury. Be sure to read all operating instructions prior to use.



Electrical Shock Hazard. The outlet strip is mounted inside the lower cabinet..



Excessive steam and or water can damage your trolley.



Top must be open when using stone warmer.
Failure to do this may void all or part of warranty.

SYMBOL IDENTIFICATION



This symbol, when used in this manual and on product labels, represents a caution warning. Be sure to read and comply with all precautions and warnings.



This symbol, when used in this manual and on product labels, warns against an electrical shock hazard. Be sure to observe and comply with all warnings.



This symbol, when used in this manual or on product labels, indicates a Protective Earth (Ground) Terminal.



This symbol when used in this manual or on product labels, warns that during transport there should be no stacking of containers.



This symbol, when used in this manual or on product labels, indicates that the product should be protected from moisture. The humidity specifications for Transport & Storage are listed in the back of this manual.



This symbol, when used in this manual or on product labels, indicates that information is given regarding the recommended temperature limits during transport and storing.



This symbol, when used in this manual or on product labels, indicates the date of manufacture of the device.



This symbol, when used in this manual or on product labels, indicates alternating current (AC).

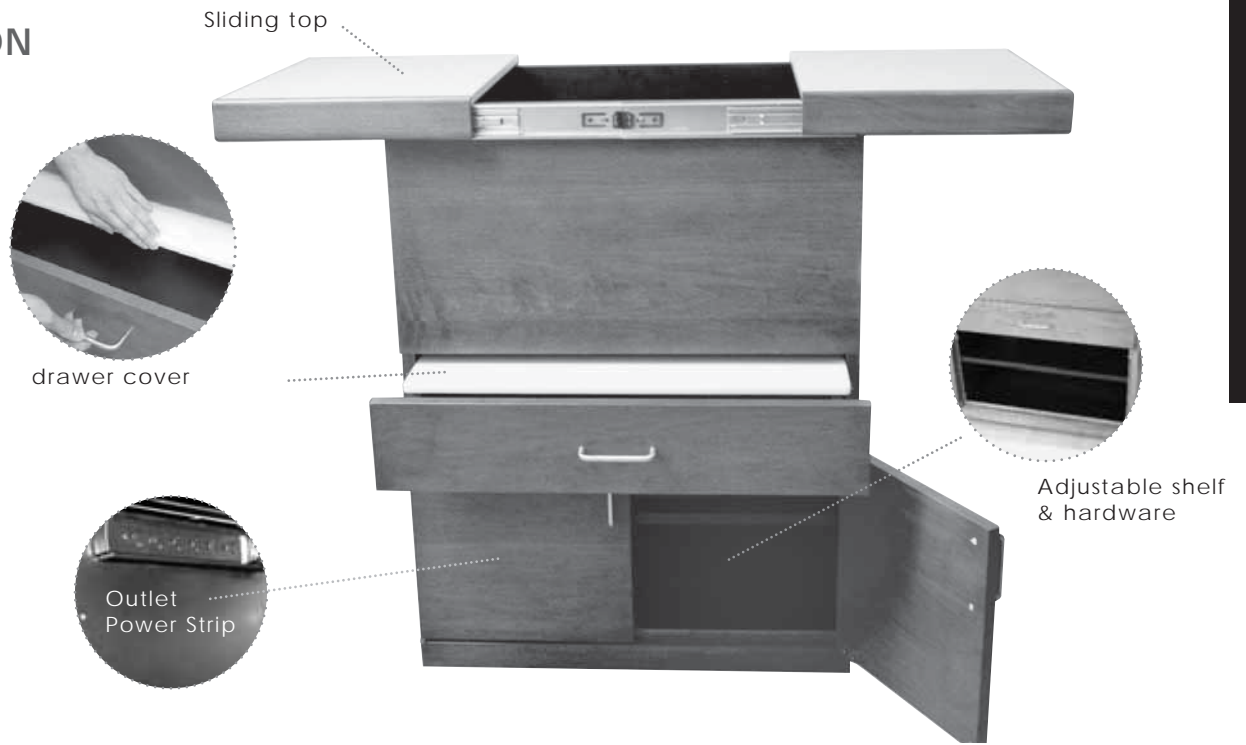


This symbol, when used in this manual or on product labels, indicates direct current (DC).



This symbol, when used in this manual or on product labels, indicates that instructional information is included. It should be read carefully and completely .

PRODUCT DESCRIPTION



PRODUCT DESCRIPTION

SPECIFICATIONS

DIMENSIONS

| | |
|--|----------------------------------|
| Trolley Dimensions with top closed: | 27 1/8" L x 18" W x 34 1/2" H |
| Trolley Dimensions with top open: | 49 3/4" L x 18" W x 34 1/2" H |
| Inside Dimensions of top compartment: | 23 3/8" L x 14 1/8" W x 13" H |
| Drawer Dimensions: | 21 1/8" L x 12 1/2" W x 2 3/8" H |
| Pull-out work surface (in drawer): | 23 1/4" x 7" |
| Dimensions of Lower Cabinet with adjustable shelf: | 23 3/8" L x 13 3/4" W x 12" H |
| Packing Dimensions: | 30 3/4" L x 21 3/8" W x 38" H |

WEIGHT

| | |
|------------------|----------|
| Weight: | 100 lbs. |
| Shipping Weight: | 110 lbs. |

ELECTRIC

Built in power strip, US standard; International Electrical available

DIRECTIONS FOR USE



Be sure to read all cautions, warnings and instructions given in the manual to prevent injury to both operator and client.



CAUTION

Do not operate hot stone warmer with Trolley top closed. Doing so will cause accelerated damage to the top surface. Top must be open when hot stone warmer is in use in order to release the steam caused by the stone warmer.



CAUTION

Excessive steam and or water can damage your trolley.



CAUTION

Do not put more than 10 lbs. on a side of the top when fully extended to avoid tipping.



CAUTION

Be sure no body parts and/or clothing are caught in the top as it is sliding.



CAUTION

Do not allow power cords to hang out of the front or top of the trolley. The cords can get pinched and cause a fire or electrocution.



CAUTION

Be sure power to the trolley is disconnected when not in use.

OPERATING SLIDING TOP

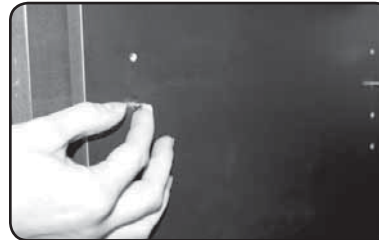


To open, grab the top by the edges and slide them apart. There are internal stops in the slides that will keep the top from coming off the tracks.



To close, just slide the top halves together.

LOWER SHELF INSTALLATION & ADJUSTMENT



1. Open doors & insert pins into holes (4) at the level where the shelf is desired.



2. Place shelf onto pins & lower the shelf onto the cut outs on the bottom.

Shelf cut-out

Pin

Extra holes

POWER STRIP USE



1. Turn off switch to power strip before plugging in or un-plugging any appliance.



2. Route power cord towards the rear of the trolley before plugging them into the power strip.

DIRECTIONS FOR USE

INSTALLING OPTIONAL HOT TOWEL WARMER

Open the cabinet doors & remove the adjustable shelf & pins.
Reverse installation instructions on page 4.

 **CAUTION**

Keep Trolley doors open when towel cabi is in use.

 **CAUTION**

Make sure the hot towel cabi door is closed properly and the drainage tray is emptied to prevent damage to the trolley.



Be sure to follow towel warmer manufacturer's instructions.



1. Set the warmer on the floor in front of the trolley.



2. Turn off the switch to the power strip and plug in the warmer. Turn on the switch to the power strip.



3. Set the warmer into the cabinet making sure the power cord is routed towards the back.



4. Your towel cabi is ready to use. Be sure to keep Trolley doors open when towel cabi is in use.

INSTALLING OPTIONAL STONE WARMER

 **CAUTION**

Do not operate hot stone warmer with Trolley top closed. Doing so will cause accelerated damage to the top surface. Top must be open when hot stone warmer is in use in order to release the steam caused by the stone warmer.



Be sure to follow stone warmer manufacturer's instructions.



1. Slide the stone warmer into the hole in the rear of the trolley, making sure the thermostat dial is facing towards the rear for access.



2. Route the power cord out of the rear access and into the lower cabinet access hole.



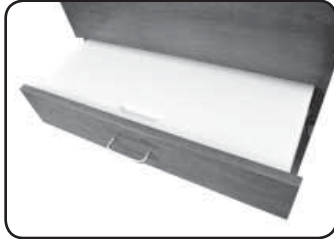
3. From the front, open the cabinet doors and switch the power strip to the off position.



4. Plug the stone warmer into the power strip & switch the power strip back to the on position.

PRODUCT INFORMATION

OPERATING DRAWER WITH WORK SURFACE



Pull the work surface the whole way out to conceal your supplies and for extra working space.



Easily push the work surface the whole way back allowing access to the drawer and your supplies.



HOW TO CARE FOR YOUR TROLLEY

- Use only a mild solution of 4:1 diluted non-alcohol cleaner such as Simple Green®, 409®, Fantastik® or some other non-abrasive cleaner to wipe down the metal surfaces of the trolley. Apply with a damp (not wet) lint-free cloth. Be sure excess liquid does not drip onto, or into, any of the electrical controls or mechanisms. Be sure that the unit is unplugged before cleaning these areas. Wipe these areas carefully with a lint free cloth.
- The slides and casters of your trolley require no general maintenance or lubrication.
- The wooden portions of the equipment can be polished with any polish approved for wooden surfaces. Spray, or pour, the polish onto a soft cloth and be careful not to get it onto other surfaces.
- The table top material may stain if it is subjected to prolonged exposure of dark liquids and chemicals. If a mild solution does not remove the stain, the top will need to be re-surfaced by sanding and polishing with an approved compound of 1200 grit polish or finer.
- Water spills or condensation should be removed immediately from surfaces.

Storage & Transport



Temperature: 32° - 100° F 0°-38° C

Humidity: 60% relative humidity
During transport, DO NOT stack containers.



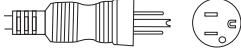
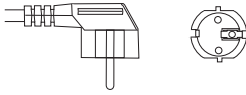
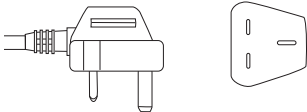
Pressure: no limitations known

ELECTRICAL SPECIFICATIONS

ELECTRICAL SPECIFICATIONS

| Designed For: | North America | Europe/UK |
|---------------------------|-------------------|-------------------|
| Electric Service | 120V/15A/60Hz | 220V/10A/50Hz |
| Operating Voltage | 120 VAC | 220 VAC |
| Power Consumption Max. | 1800 watts | 1800 watts |
| Electric Shock Protection | Class I Equipment | Class I Equipment |

PLUG IDENTIFICATION

| OAKWORKS® Part #: | Voltage (AC) | Power Cord Plug |
|-------------------|--------------|--|
| 2083-5 | 120v 60 Hz | 3 prong grounded North America  |
| 2083-2 | 220v 50 Hz | Continental Plug; Europe  |
| 2083-3 | 220v 50 Hz | British plug; United Kingdom  |

OPTIONAL ACCESSORIES

| Part No. | Accessory Description |
|----------|--------------------------|
| 3680-1 | Hot towel cabi, US, 120V |
| 3680-2 | Hot towel cabi, EU, 220V |
| 3680-5 | Mini Hot towel cabi, US |
| xxxx | Hot stone warmer |

Trolley

INSTRUCTION MANUAL

CONTACT INFORMATION:

OAKWORKS® Inc.

923 East Wellspring Road
New Freedom, PA 17349

Toll Free (USA only): 800-916-4613
Phone: 717-235-6807

FAX: 717-235-6798

www.oakworks.com

Notice

The information contained in this document is subject to change without notice and should not be construed as a commitment by Oakworks®, Inc.

Oakworks®, Inc. assumes no responsibility for any errors that may appear in this document nor does it make expressed or implied warranty of any kind with regard to this material, including, but not limited to, the implied warranties of merchantability and fitness for a particular purpose.

Oakworks®, Inc. shall not be liable for incidental or consequential damages in connection with or arising out of the furnishing, performance, or use of this document and the program material which it describes.

Manual Part Number MMMNST0013

Revision date: 09.25.08

Edition 1, English

Printed in USA

© Copyright 2008

