

USER MANUAL

---

# OAKWORKS® TROLLEYS



*Halo Collection Trolleys*



*OAKWORKS Collection Trolleys*

[www.OAKWORKS.com](http://www.OAKWORKS.com) · 717.235.6807



**OAKWORKS®** Spa

Printed in U.S.A.

All rights are reserved. No part of this document may be photocopied, reproduced or translated to another language without prior written consent of OAKWORKS®, Inc.

OAKWORKS® is a registered trademark of OAKWORKS®, Inc.

#### Notice

The information contained within this document is subject to change without notice and should not be construed as a commitment by OAKWORKS®, Inc.

OAKWORKS®, Inc. encourages requests for technical specifications and the like documentation to ensure accuracy. The appropriate documentation is available upon request.

OAKWORKS®, Inc. shall not be liable for incidental or consequential damages in connection with or arising out of the furnishing, performance, or use of this document and the program material which it describes.

# TABLE OF CONTENTS

---

- Product Use Description ..... 1
- Important Safety Instructions
  - Symbol Identification ..... 1
  - Important Safety Instructions ..... 2
- Product Description & Photo
  - Halo Collection
    - Halo Slimline - SL ..... 3
    - Halo Standard - SX ..... 4
    - Halo 1 Warming Drawer - W1 ..... 5
    - Halo 2 Warming Drawers - W2 ..... 6
  - Oakworks Collection
    - Oakworks Slimline - SL ..... 7
    - Oakworks Standard - SX ..... 8
    - Oakworks 1 Warming Drawer - W1 ..... 9
    - Oakworks 2 Warming Drawers - W2 ..... 10
- Installation
  - Grounding ..... 11
- Directions for Use
  - Adjustable Shelf Install ..... 12
  - Work Shelf Operation ..... 12
  - Warming Drawer Operation ..... 12
  - Installation of Optional Hot Towel Cabinet ..... 13
  - Optional Work Light Install and Operation ..... 14
  - Halo Collection Accent Lights Operation ..... 15
- Cleaning & Disinfection
  - Recommended Cleaners/Disinfectants ..... 16
  - Cleaning Procedure ..... 16
- Inspections ..... 17
- Warranty Information ..... 17
- Model Number & Serial Number
  - Product Label Location ..... 17
- Specifications
  - Environmental Conditions ..... 18
  - Electrical Specifications ..... 18
  - Halo Trolley Dimensions ..... 19
  - Oakworks Trolley Dimensions ..... 20
- Contact Information ..... back cover

---

# PRODUCT USE DESCRIPTION / IMPORTANT SAFETY INSTRUCTIONS

---

## PRODUCT USE DESCRIPTION

The product is a spa trolley for commercial use. It is intended for indoor use.

The product is intended to be used by trained professionals in a controlled environment. A review of the following Safety Instructions is important for the safety of the operator and patient. Read all instructions and understand this entire user manual before using the product.

The trolley should not be used in any other manner than that described within this manual. Improper use can result in injury.

## SYMBOL IDENTIFICATION



This symbol, when used in this manual and on product labels, represents a caution warning. Be sure to read and comply with all precautions and warnings.



This symbol, when used in this manual and on product labels, warns against an electrical shock hazard. Be sure to observe and comply with all warnings.



This symbol, when used in this manual or on product labels, indicates a Protective Earth (Ground) Terminal.



This symbol, when used in this manual and on product labels, indicates the name and address of the manufacturer.



This symbol, when used in this manual or on product labels, indicates the country of manufacture along with date of manufacture of the device next to it.



This symbol, when used in this manual or on product labels, indicates alternating current (AC).



This symbol, when used in this manual or on product labels, indicates direct current (DC).



This symbol is used to indicate that the operator should consult the user manual.



This symbol indicates that when the end-user wishes to discard this product, it must be sent to separate collection facilities for recovery and recycling.

# IMPORTANT SAFETY INSTRUCTIONS

---

## IMPORTANT SAFETY INSTRUCTIONS

When using an electrical furnishing, basic precautions should always be followed, including the following:



### DANGER

**READ AND SAVE THESE INSTRUCTIONS**

To reduce risk of electric shock:

1. Always unplug power strip from the electrical outlet before cleaning.
2. Connect power strip to a properly grounded outlet only. See Grounding Instructions in this manual.

Electrical Shock Hazard. The power strip is mounted on the back of the product.



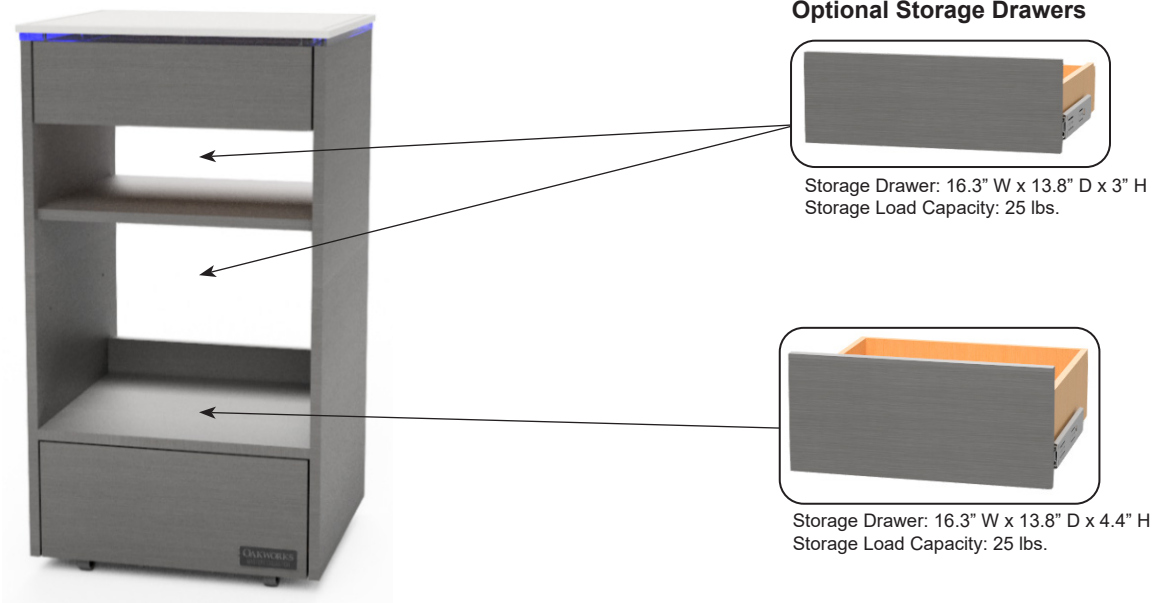
### WARNING

To reduce the risk of burns, fire, electric shock or injury to persons:

1. Unplug from outlet before adding or removing parts.
2. Never operate this product if it has a damaged cord, if it is not working properly, if it has been dropped or damaged, or dropped into water. Contact OAKWORKS® Inc., Customer Service before use at 717.235.6807.
3. Keep the cord away from heated surfaces.
4. Never drop or insert any object into any opening.
5. Do not use outdoors.
6. Do not operate where aerosol (spray) products are being used or where oxygen is being administered.
7. Do not use attachments not recommended by the manufacturer.
8. To disconnect, turn all controls to the off position, then remove plug from outlet.
9. Improper connection of the equipment-grounding conductor can result in a risk of electric shock. Check with a qualified electrician or service person if you are in doubt as to whether the product is properly grounded.
10. Do not modify the plug provided with the product - if it will not fit the outlet; have a proper outlet installed by a qualified electrician.
11. Do not overload drawers. Failure to adhere to storage load capacity may lead to a potential tipping hazard.

# PRODUCT DESCRIPTION - HALO COLLECTION

## Halo Slimline - SL

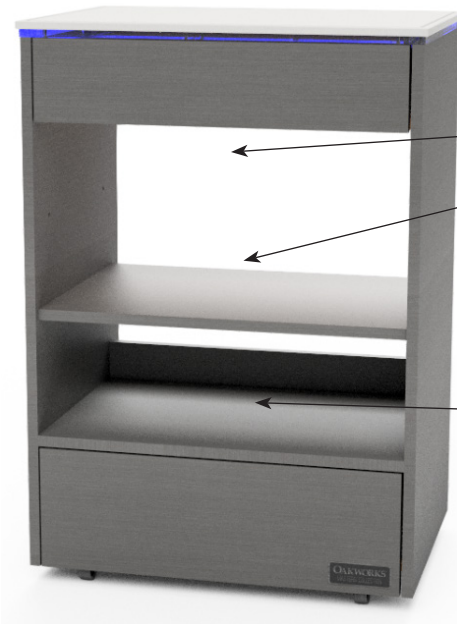


STANDARD SPECIFICATIONS			
Storage	Top Drawer: 16.3" W x 13.8" D x 3" H	Work Shelf	Pull Out Surface: 17.9" W x 8" D
	Bottom Drawer: 16.3" W x 13.8" D x 4.4" H	Accent Lighting	Color Changing LEDs
Moveable	Four 2" Casters	Power Supply	Built in Power Strip
Push to Open Drawers	One Touch Mechanism	Adjustable Shelf	2 Positions
OPTIONS / ACCESSORIES			
Towel Rack(s)		Dimmable Work Light	

For electrical specs, see Specifications section.

# PRODUCT DESCRIPTION - HALO COLLECTION

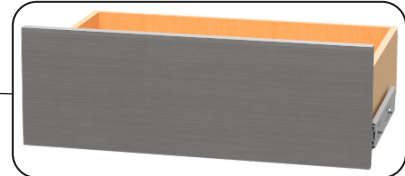
## Halo Standard - SX



### Optional Storage Drawers



Storage Drawer: 21.8" W x 13.8" D x 3" H  
Storage Load Capacity: 25 lbs.



Storage Drawer: 21.8" W x 13.8" D x 4.4" H  
Storage Load Capacity: 25 lbs.

STANDARD SPECIFICATIONS			
Storage	Top Drawer: 21.8" W x 13.8" D x 3" H	Work Shelf	Pull Out Surface: 23.5" W x 8" D
	Bottom Drawer: 21.8" W x 13.8" D x 4.4" H	Accent Lighting	Color Changing LEDs
Moveable	Four 2" Casters	Power Supply	Built in Power Strip
Push to Open Drawers	One Touch Mechanism	Adjustable Shelf	2 Positions
OPTIONS / ACCESSORIES			
Towel Rack(s)		Dimmable Work Light	

For electrical specs, see Specifications section.

## PRODUCT DESCRIPTION - HALO COLLECTION

### Halo 1 Warming Drawer - W1

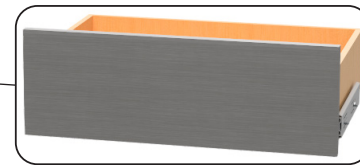


Warming Drawer Capacity: 16L  
 Warming Drawer Inside Area: 17" W x 19" D x 3.75" H  
 (483mm x 432mm x 95mm)

#### Optional Storage Drawers



Storage Drawer: 21.8" W x 13.8" D x 3" H  
 Storage Load Capacity: 25 lbs.



Storage Drawer: 21.8" W x 13.8" D x 4.4" H  
 Storage Load Capacity: 25 lbs.

STANDARD SPECIFICATIONS			
Storage	Top Drawer: 21.8" W x 13.8" D x 3" H	Work Shelf	Pull Out Surface: 23.5" W x 8" D
	Bottom Drawer: 21.8" W x 13.8" D x 4.4" H	Warming Drawer	17" W x 19" D x 3.75" H
Moveable	Four 2" Casters	Accent Lighting	Color Changing LEDs
Push to Open Drawers	One Touch Mechanism	Power Supply	Built in Power Strip
Shelf	Removable		
OPTIONS / ACCESSORIES			
Towel Rack(s)		Dimmable Work Light	

For electrical specs, see Specifications section.

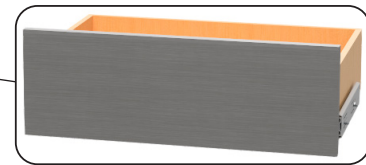
## PRODUCT DESCRIPTION - HALO COLLECTION

### Halo 2 Warming Drawers - W2



Warming Drawer Capacity: 16L  
 Warming Drawer Inside Area: 17" W x 19" D x 3.75" H  
 (483mm x 432mm x 95mm)

#### Optional Storage Drawers



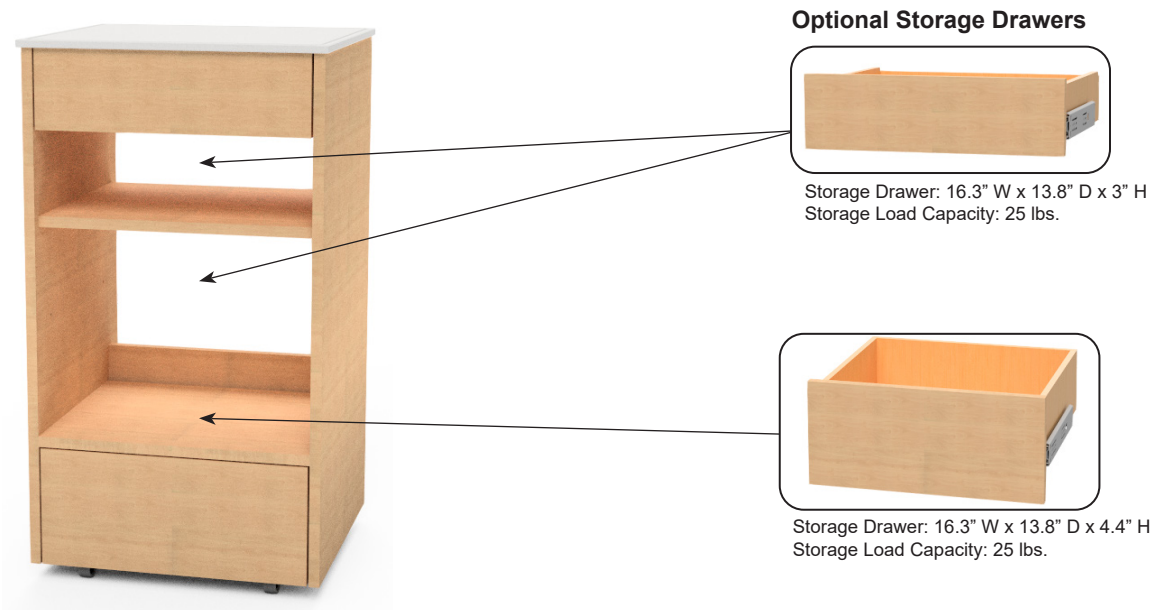
Storage Drawer: 21.8" W x 13.8" D x 4.4" H  
 Storage Load Capacity: 25 lbs.

STANDARD SPECIFICATIONS			
Storage	Top Drawer: 21.8" W x 13.8" D x 3" H	Work Shelf	Pull Out Surface: 23.5" W x 8" D
	Bottom Drawer: 21.8" W x 13.8" D x 4.4" H	Warming Drawer	17" W x 19" D x 3.75" H
Moveable	Four 2" Casters	Accent Lighting	Color Changing LEDs
Push to Open Drawers	One Touch Mechanism	Power Supply	Built in Power Strip
OPTIONS / ACCESSORIES			
Towel Rack(s)		Dimmable Work Light	

For electrical specs, see Specifications section.

# PRODUCT DESCRIPTION - OAKWORKS COLLECTION

## Oakworks Slimline - SL

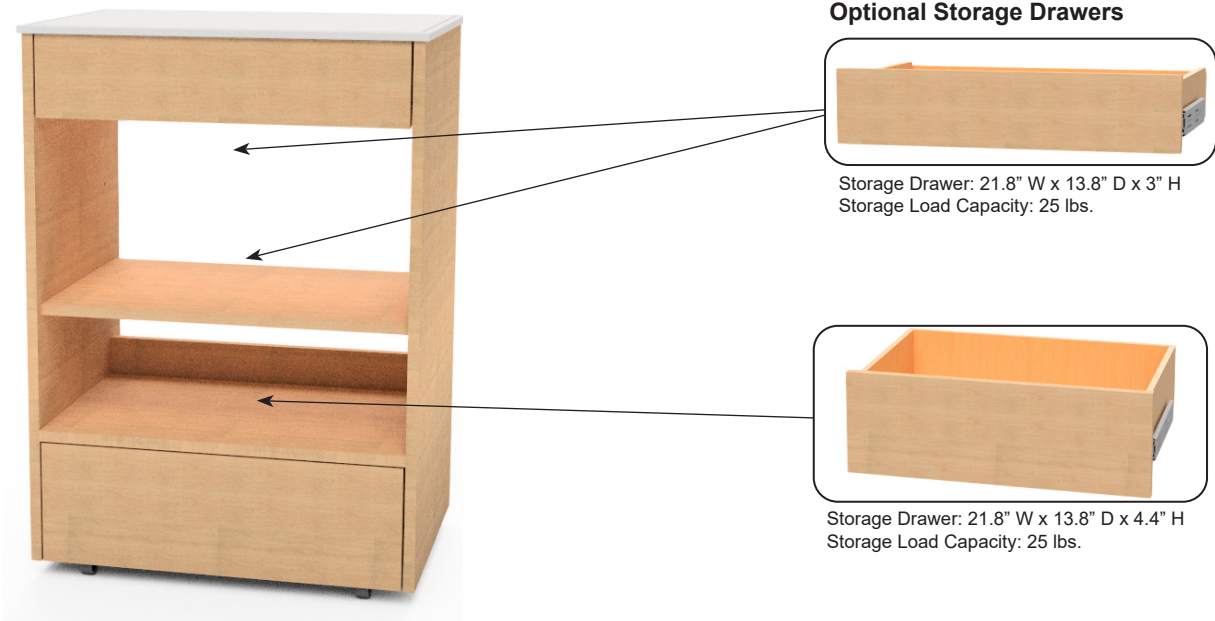


STANDARD SPECIFICATIONS			
Storage	Top Drawer: 16.3" W x 13.8" D x 3" H	Work Shelf	Pull Out Surface: 17.9" W x 8" D
	Bottom Drawer: 16.3" W x 13.8" D x 4.4" H	Adjustable Shelf	2 Positions
Moveable	Four 2" Casters	Power Supply	Built in Power Strip
Push to Open Drawers	One Touch Mechanism		
OPTIONS / ACCESSORIES			
Towel Rack(s)		Dimmable Work Light	

For electrical specs, see Specifications section.

## PRODUCT DESCRIPTION - OAKWORKS COLLECTION

### Oakworks Standard - SX



STANDARD SPECIFICATIONS			
Storage	Top Drawer: 21.8" W x 13.8" D x 3" H	Work Shelf	Pull Out Surface: 23.5" W x 8" D
	Bottom Drawer: 21.8" W x 13.8" D x 4.4" H	Adjustable Shelf	2 Positions
Moveable	Four 2" Casters	Power Supply	Built in Power Strip
Push to Open Drawers	One Touch Mechanism		
OPTIONS / ACCESSORIES			
Towel Rack(s)		Dimmable Work Light	

For electrical specs, see Specifications section.

PRODUCT DESCRIPTION - OAKWORKS COLLECTION

Oakworks 1 Warming Drawer - W1



Warming Drawer Capacity: 16L  
 Warming Drawer Inside Area: 17" W x 19" D x 3.75" H  
 (483mm x 432mm x 95mm)

Optional Storage Drawers



Storage Drawer: 21.8" W x 13.8" D x 3" H  
 Storage Load Capacity: 25 lbs.



Storage Drawer: 21.8" W x 13.8" D x 4.4" H  
 Storage Load Capacity: 25 lbs.

STANDARD SPECIFICATIONS			
Storage	Top Drawer: 21.8" W x 13.8" D x 3" H	Work Shelf	Pull Out Surface: 23.5" W x 8" D
	Bottom Drawer: 21.8" W x 13.8" D x 4.4" H	Warming Drawer	17" W x 19" D x 3.75" H
Moveable	Four 2" Casters	Shelf	Removable
Push to Open Drawers	One Touch Mechanism	Power Supply	Built in Power Strip
OPTIONS / ACCESSORIES			
Towel Rack(s)		Dimmable Work Light	

For electrical specs, see Specifications section.

## PRODUCT DESCRIPTION - OAKWORKS COLLECTION

### Oakworks 2 Warming Drawers - W2



Warming Drawer Capacity: 16L  
 Warming Drawer Inside Area: 17" W x 19" D x 3.75" H  
 (483mm x 432mm x 95mm)

#### Optional Storage Drawers



Storage Drawer: 21.8" W x 13.8" D x 4.4" H  
 Storage Load Capacity: 25 lbs.

#### STANDARD SPECIFICATIONS

Storage	Top Drawer: 21.8" W x 13.8" D x 3" H	Work Shelf	Pull Out Surface: 23.5" W x 8" D
	Bottom Drawer: 21.8" W x 13.8" D x 4.4" H	Warming Drawer	17" W x 19" D x 3.75" H
Moveable	Four 2" Casters	Power Supply	Built in Power Strip
Push to Open Drawers	One Touch Mechanism		

#### OPTIONS / ACCESSORIES

Towel Rack(s)	Dimmable Work Light
---------------	---------------------

For electrical specs, see Specifications section.

## INSTALLATION

The trolley come completely assembled, except for the optional work light, and ready to use. Plug the cord into a functioning outlet that is rated for the trolley.

Arrange the power cord so that it will not create a tripping hazard. Be sure access to the plug is not blocked for disconnecting the trolley from power.

## GROUNDING

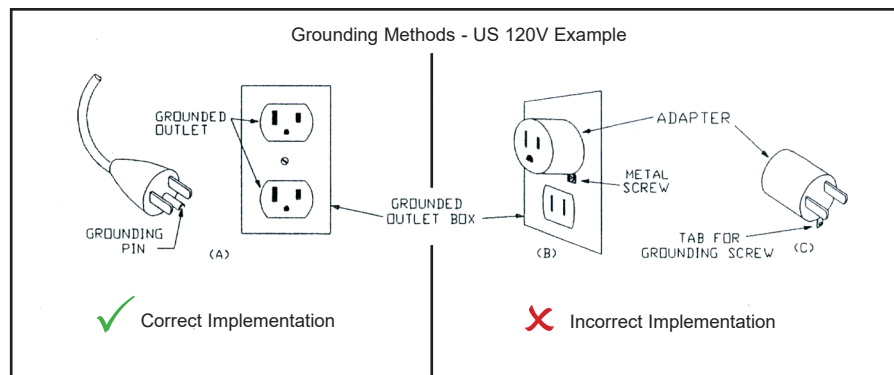


### DANGER

Risk of Electric Shock - Connect this furnishing to a properly grounded outlet only.

Grounding for 120 Volt products without warming drawer:

This product is for use on a nominal 120-volt circuit and has a grounding plug that looks like the plug shown below. See Grounding Methods - US 120V Example. Make sure that the product is connected to an outlet having the same configuration as the plug. No adapter should be used with this product.



Grounding for 230 Volt products:

This product is rated for less than 15 amperes and is for use on a circuit having a nominal rating of 230 volts and is factory-equipped with specific electric plug to permit connection to a proper circuit. Make sure that the product is connected to an outlet having the same configuration as the plug. No adapter should be used.



### WARNING

1. Improper connection of the equipment-grounding conductor can result in a risk of electric shock. Check with a qualified electrician or service person if you are in doubt as to whether the product is properly grounded.
2. Do not modify the plug provided with the product - if it will not fit the outlet; have a proper outlet installed by a qualified electrician.

## DIRECTIONS FOR USE

---

### ADJUSTABLE SHELF INSTALL

For trolleys that come with a shelf, insert the provided four (4) metal dowels into the 4 corresponding holes depending on what position the shelf will be at. Place the slots on the bottom side of the shelf on top of the dowels to hold the shelf. To remove the shelf, reverse the previous instructions.



### WORK SHELF OPERATION

Each trolley comes with a work shelf located in the top drawer to extend the work surface area. The work shelf can be pushed back to access the contents of the drawer or fully removed if not needed.



### WARMING DRAWER OPERATION

Please reference the Warming Drawer Manual for operation of use.



## DIRECTIONS FOR USE

---

### INSTALLATION OF OPTIONAL HOT TOWEL CABI

**Note:** Can only be installed on specific Standard, Slimline, and 1 Warming Drawer models.

- 1 Warming Drawer Model: Remove adjustable shelf and pins.
- Standard and Slimline Model: Adjust shelf to upper position or remove with pins.

To install a Hot Towel Cabi, place the cabi in front of the trolley to confirm the trolley's configuration has enough space. Set cabi into the cabinet making sure the power cord is routed towards the back. Plug the cabi into the power strip located on the back of the trolley. Your Hot Towel Cabi is ready for use. Be sure to follow towel warmer manufacturer's instructions.



## DIRECTIONS FOR USE

---

### OPTIONAL WORK LIGHT INSTALL AND OPERATION

The Halo Trolley Collection and Oakworks Trolley Collection offer an optional work light feature.

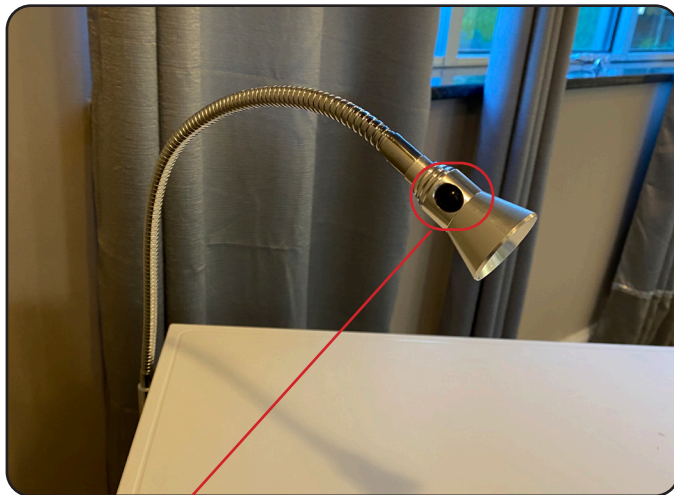
#### WORK LIGHT INSTALLATION

To install the work light, screw the work light bracket into the trolley using the screws provided. Plug the work light into the power strip located on the back of the trolley.



#### WORK LIGHT OPERATION

Press the button on the top of the light to turn off and on. The work light can be adjusted manual by moving the gooseneck to the desire position.



ON / OFF



# DIRECTIONS FOR USE

## HALO COLLECTION ACCENT LIGHTS OPERATION

The Halo Collection Trolleys offer a multi-color LED light bar. Operate the light bar with the remote as shown below to create customized accent lighting for the trolley.



Custom Accent Light Bar



## CLEANING & DISINFECTION

---

### RECOMMENDED CLEANERS/DISINFECTANTS



#### DANGER

To reduce the risk of electric shock:

- Always unplug this furnishing from the electrical outlet before cleaning.

Reference the Recommended Cleaners and Disinfectant list (MMINML0008-EN) that came with the table. This information can also be found at [www.shop.spatable.com](http://www.shop.spatable.com) under product information.

All cleaners and disinfectants have the ability to degrade the upholstery to some extent. However, following the recommended cleaner and disinfectant list and cleaning process will provide the best care for your table and support a long product life.

OAKWORKS® recommends a prepackaged wipe for cleaners/disinfectants to ensure best distribution of disinfectant for the required kill time, without leaving excess residue and/or overexposing components therefore minimizing the potential for damage to materials. Please read and follow disinfectants manufacturers' directions for cleaning and disinfection.

OAKWORKS® does NOT recommend the use of cleaners/disinfectants containing Hydrogen Peroxide, Acetic Acid, or Phenolics. These chemicals can cause damage to the appearance and/or material integrity of various components. Also, while the recommended cleaners/disinfectants list includes products containing Quaternary Ammonium compounds ("quats"), not all products containing quats are approved for use. Some contain additional detergents and/or surfactants which can damage some materials.

**Use of non-approved cleaners or disinfectants may lead to damage to upholstery and other materials found on the table and will void the warranty.**

### CLEANING PROCESS

Follow the cleaners/disinfectant manufacturers' directions for use. Please note that cleaning and disinfecting an OAKWORKS® table is a two part process. First it must be cleaned of any visible soil, then it can be disinfected. OAKWORKS® recommends that the table be positioned in the flat position during the cleaning process. Please follow this procedure for best results:

1. Using an approved cleaner or mild liquid soap and water, clean any visible soil off of the table, working from the top to the bottom of the table. It is recommended that the upholstery be cleaned at least once a week to prevent disinfectant build up.
2. Rinse with clean water and dry with a clean cloth or towel.
3. Using an approved disinfectant, thoroughly disinfect all surfaces of the tabletop and any high-contact areas such as handles, handsets, etc., making sure they remain wet for the disinfectant manufacturer's recommended contact time. Do not allow disinfectant to pool on the upholstery after the recommended contact time.
4. Wipe off any excess liquid with a cloth or towel and clean water.
5. Dry all surfaces with a clean cloth or towel.

Avoid using writing instruments or other similar instruments around the upholstery as it can cause permanent staining. If this does occur, do not wipe with an alcohol based cleaner. Instead, blot the stain with a clean cloth/ paper towel. Use a recommended cleaner or disinfectant to remove the stain. Follow this with a rinse of clean water.

# INSPECTIONS / WARRANTY/ PRODUCT LABEL

## INSPECTIONS

### RECOMMENDED REGULAR INSPECTIONS (monthly or local standard)

- Check for damage to any cables.
- Visually inspect components for obvious damage that could cause problems during operation.

### RECOMMENDED PERIODIC INSPECTIONS (yearly or local standard)

- Check for damage to any cables and all visible wiring.
- Visually inspect components for obvious damage that could cause problems during operation.
- Check that all fasteners are present and fastened securely.
- Check table grounding.
- Clean unusual buildup of dirt on the table and/or parts of the table not normally cleaned on a regular basis.

## WARRANTY

View complete warranty details at [www.shop.spatables.com](http://www.shop.spatables.com) under the Information tab “Warranty and Return Policy”.

## PRODUCT LABEL LOCATION



Product Label

Model Number

Serial Number



Model Numbers and Serial Numbers always start with a letter.

## SPECIFICATIONS

---

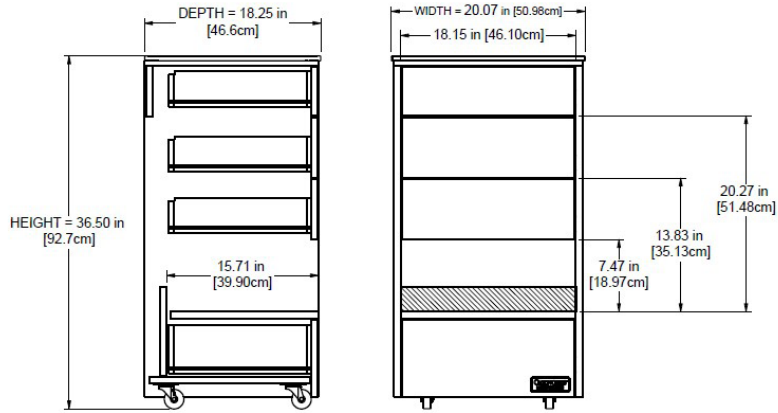
ENVIRONMENTAL CONDITIONS			
Conditions	Temperature	Humidity	Atmospheric Pressure
Normal Use	50° (10°C) to 104° (40°C)	20% to 60% RH	98 to 105 kPa
Storage & Transport	-20° (-29°C) to 135° (57°C)	20% to 95% RH	98 to 105 kPa

ELECTRICAL SPECIFICATIONS		
Designed for	North America	Europe
Input Service	120V~ 60Hz, 12.0 Amps	220-240V~ 50Hz, 8.3 Amps
Plug Type(s)	- Type B Plug (NEMA 5-15)	-Type B Plug (NEMA 5-15) -Type I Plug (AS/NZS 3112) -Type J Plug (SEV 1011) -Type F Plug (CEE 7) -Type G Plug (BS 1363) -Type D Plug (BS 546 5A) -Type M Plug (BS 546 15A)

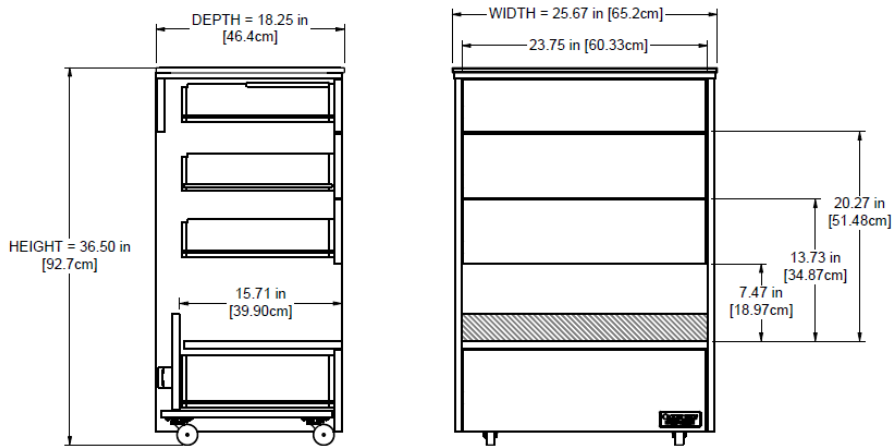
# SPECIFICATIONS

## DIMENSIONS - HALO COLLECTION

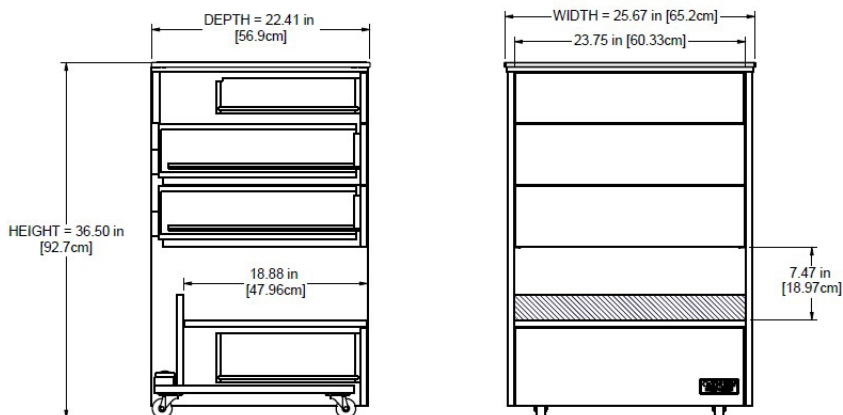
### HALO SLIMLINE DIMENSION:



### HALO STANDARD DIMENSION:



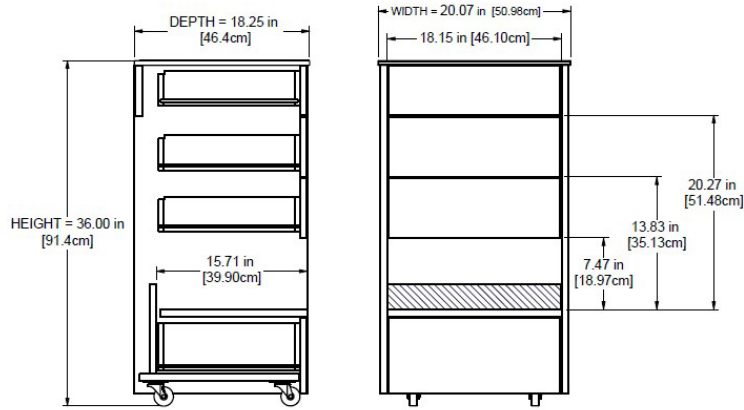
### HALO WARMING DRAWER DIMENSION:



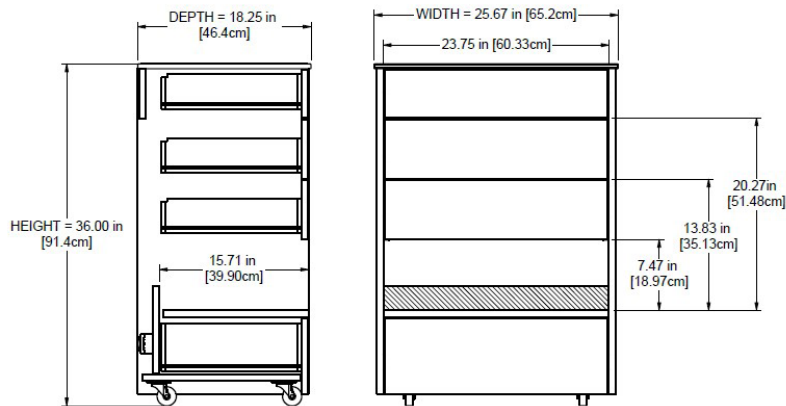
# SPECIFICATIONS

## DIMENSIONS - OAKWORKS COLLECTION

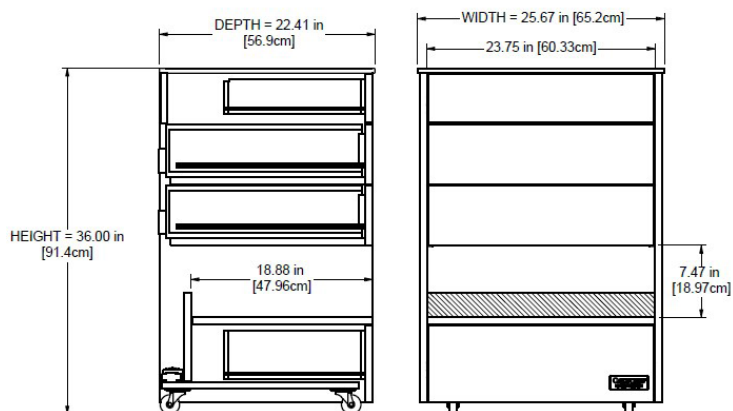
### OAKWORKS SLIMLINE DIMENSION:



### OAKWORKS STANDARD DIMENSION:



### OAKWORKS WARMING DRAWER DIMENSION:



# USER MANUAL

---

# OAKWORKS® TROLLEYS

## CONTACT INFORMATION:



**OAKWORKS® Inc.**

923 East Wellspring Road  
New Freedom, PA USA 17349

Phone: 717.235.6807

FAX: 717.235.6798

[www.oakworks.com](http://www.oakworks.com)

---

Original Instructions  
Manual Part Number SPA-RA-PM-138  
Revision level: 6  
Revision Date: 12/16/2022

English, Printed in USA



**OAKWORKS®** Spa